



GB

I

F

D

E

CE

# *SOLO PLUS*

"C" Models, Ceiling Mounted

USE AND MAINTENANCE INSTRUCTIONS

MANUALE USO E MANUTENZIONE

NOTICE DE MODE D'EMPLOI ET D'ENTRETIEN

GEBRAUCHS- UND WARTUNGSHANDBUCH

MANUAL DE USO Y MANUTENCIÓN

## **CONTENTS**

- 1. Safety recommendations**
- 2. Table of warning and attention plates**
- 3. Description of the unit**
  - 1. Operation**
  - 2. Handling**
- 3. Installation**
  - 6.1 Plates
  - 6.2 Dimensions
  - 6.3 Location
  - 6.4 Free room
  - 6.5 Installation
  - 6.6 Fitting the remote panel
  - 6.7 Safety devices
  - 6.8 Cleaning
- 7 Connecting the unit**
  - 7.1 Electric connection
  - 7.2 Connection to water system
- 8. Electric controls**
  - 8.1 Control panel
- 9. Checks, regulations and adjustments**
  - 9.1 Starting
- 10. Wiring**
- 11. Maintenance and repairs**
- 12 Routine maintenance**
  - 12.1 Periodical maintenance
  - 12.2 Service operations to be carried out by qualified technicians or by the manufacturer
  - 12.3 Troubleshooting
  - 12.4 Alarms
- 13 How to order spare parts**
- 14 How to dispose of the packing**
- 15 How to dispose of the unit**

Thank you for choosing our refrigerating unit.  
Please read these instructions carefully. They provide details and advice on the correct method of installing, using and maintaining this unit, in order to obtain maximum reliability, efficiency and long life.

## 1 SAFETY RECOMMENDATIONS

When installing and using the unit please follow the recommendations listed here below.

- Installation shall be carried out in strict compliance with the diagrams and instructions supplied by the manufacturer.
- Damages due to improper connections are excluded.
- The electric system available where the unit is installed shall meet the relevant standards in force.
- Maintenance shall be effected by trained personnel or by the manufacturer according to the provisions supplied by EN378.



### **WARNING**

***Use safety gloves to protect your hands from possible cuts.***

The user is strongly recommended to contact the manufacturer before attempting any intervention on the unit and any use not corresponding to the manufacturer's indications (in particular as for the field of application) and to enquire about the possible dangers and contra-indications connected with an improper use of the machine.

- The unit shall be used following these instructions and sticking to the destination of use indicated by the supplier. Any incorrect use can result in damages to the unit and represents a serious danger for people's health.



### **ATTENTION**

***The unit is not suitable for working in explosive environments. Therefore the use of the unit in an explosion-dangerous atmosphere is absolutely forbidden.***



### **ATTENTION**

***The unit is not suitable for working in salty environments. In such a case protect condenser and evaporator with appropriate means.***

When maintenance involves operations on the refrigerating circuit, empty the system and let it reach the atmospheric pressure.



### **WARNING**

***Do not discharge the refrigerant in the atmosphere. It must be recovered by specialized technicians using suitable equipment.***

- Quantity and quality of the refrigerant to be charged are indicated on the data plate.
- Do not use refrigerants of different kind (especially inflammable fluids, for example hydrocarbons) or air.
- Do not modify or alter the refrigerating circuit or its components (for example: welding on compressor body)
- The final user shall protect the system from external fire dangers.

2 Table of warning and attention plates

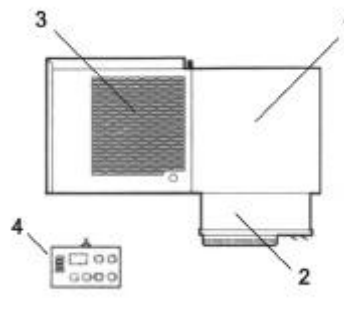


	<p><b>Refrigerant</b></p>
	<p><b>Condensate drain line</b></p>
	<p><b>Attention: hot or cold parts</b></p>
	<p><b>Attention: switch off before operating on the unit.</b></p>
	<p><b>Attention: danger of electrocution</b></p>
	<p><b>Connect this cable to a circuit breaker, never to the main line directly.</b></p>
	<p><b>Direction of rotation</b></p>
	<p><b>Colours of supply cable wires</b></p>
	<p><b>Attention – important : clean the condenser periodically by blowing air from the inside outwards. Stop the unit before cleaning.</b></p>
	<p><b>Room light cable</b></p>
	<p><b>Microdoor cable</b></p>
	<p><b>Door heater cable</b></p>

### 3 Description of the unit

The Solo refrigeration units includes air-cooled or water-cooled (optional) condensing units

built on the basis of the single-block principle. They consist of:



1. a condensing unit placed outside the cold room;
2. an evaporator placed in an insulated box and installed outside the cold room;
3. an electric control panel placed on the condensing unit;
4. a wall-mounted remote control panel.

### 4 Operation

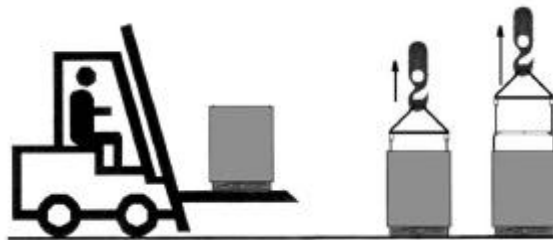
**Solo single blocks** are compression units where cold is produced by vaporizing a liquid refrigerant (HFC type) at low pressure in a heat exchanger (evaporator). The resulting vapour is brought again into the liquid state by mechanical compression at a higher pressure, followed by cooling in another heat exchanger (condenser).

The compressor is hermetic, with reciprocating motion, supplied with single-phase or three-phase power.

Defrost takes place automatically in pre-set cycles; manual defrost is also possible.

### 5 Handling

The unit can be handled by lifting and transport means.



#### WARNING



**Make sure that no one is in transit in the operating area of the lifting/transport means to prevent any possible accidents to people.**



**If the unit is in a wooden case or crate, sling the packing properly before handling it.**



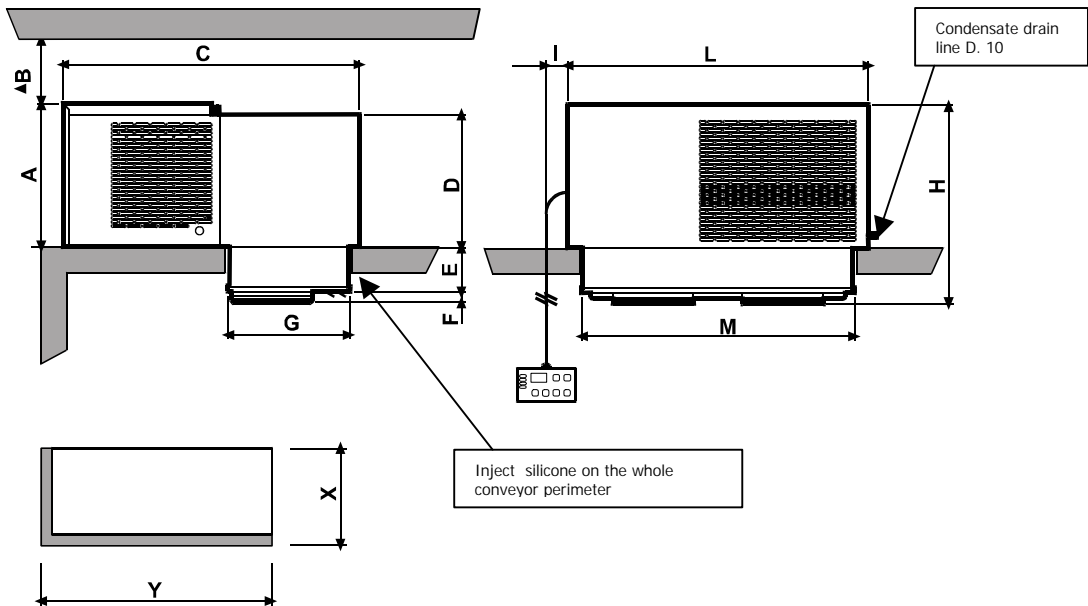
**Lifting speed shall be such as not to make the packed unit oscillate dangerously and possibly fall.**

## 6 Installation

### 6.1 Plates

The unit is supplied with warning and attention plates as listed in the relevant table.

### 6.2 Dimensions



	A	B	C	D	E	F	G	H	I	L	M	X	Y
SP1/SP2	357	250	719	340	122	28	332	506	60	620	545	337	550
SP3/SP4	390	250	809	360	122	28	332	540	60	820	745	337	750
SP5	427	250	929	410	122	98	452	645	60	820	745	456	750

### 6.3 Location

To obtain optimal operation of the unit act as follows:

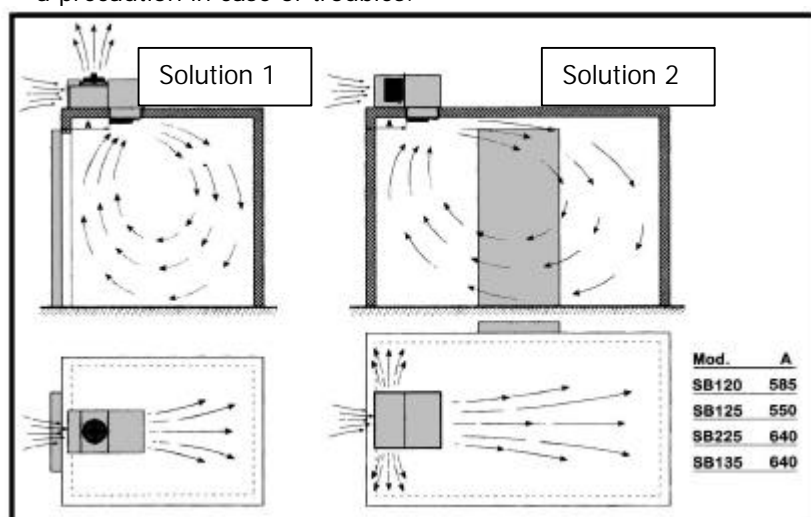
**A)** Place the unit in a well ventilated room, far from heat sources.

**B)** Limit the number of door openings.

**C)** Make sure that the unit has good air supply and discharge.

**D)** Fit a drain line to the defrost water drain connection in the lower part of the unit.

**Note:** Solo units are equipped with automatic evaporation of defrost water; drain is just a precaution in case of troubles.



#### 6.4 Free room

When installing the unit leave enough free room to allow opening, correct use and easy maintenance in safe conditions.

#### 6.5 Installation

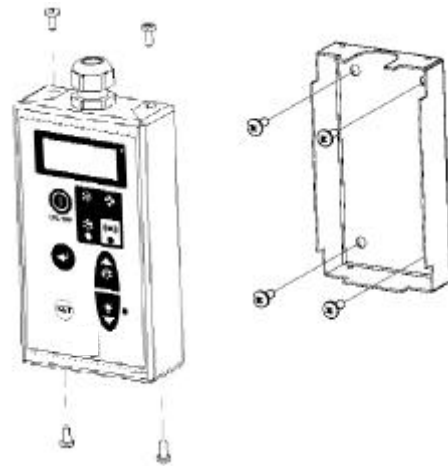
- A) Prepare a opening with suitable dimensions in the cold room wall (see pictures above).  
Position the unit onto the cold room wall inserting the evaporator section in the opening.  
N.B.: Models SP1, SP2, SP3, SP4, SP5 do not require fixing points

#### 6.6 Fitting the remote panel:

Remove the side screws and lift the front cover.

Fix the back plate to the wall using the pre-drilled holes; be careful the panel is kept in a vertical position.

Close the panel by remounting the cover. Fit the connecting cable between panel and unit making sure not to bundle it with other cables.



#### ATTENTION

**Check that the unit and its devices have suffered no damages during transport. Pay special attention to the components secured to the electric panel door and to the refrigerating circuit pipes. Mount the unit as shown in the drawings; make sure that the electric connections are carried out properly.**



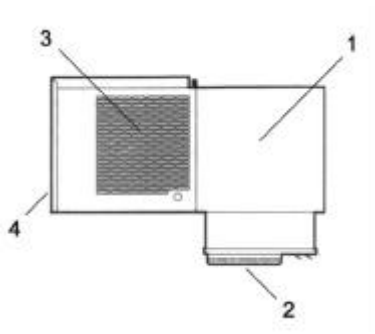
#### 6.7 Safety devices

The following mechanical safety devices are supplied:

1. Fixed upper and side protections for evaporator and condensing unit, secured by locking screws.
2. External fan protections placed on the evaporating and condensing units, secured with screws.

The following electrical safety devices are supplied:

- a. Protection of fans (belonging to motors) against high power absorption; with automatic reset.
- b. High pressure switch (only for special components) to protect against excessive pressure; with automatic reset.



**WARNING**

*Above devices have been developed to safeguard the operator's safety.*

**6.8 Cleaning**

Clean the unit carefully. Remove any dust, foreign substances and dirt possibly deposited during handling. Use detergents and degreasers.



**ATTENTION**

*Solvents are not allowed.*

**7 Connecting the unit**



**ATTENTION**

*Before connecting the unit make sure that mains voltage and frequency correspond to the values shown in the data plate. Voltage tolerance: +/- 10% compared to nominal value.*

**7.1 Electric connection**

Connect the unit after checking the panel components.

**ATTENTION**



*Connection to the electric line shall be effected applying a suitable safety device (a circuit breaker or a ground fault interrupter) selected by the installer on the basis of the line involved and of the absorption indicated on the unit plate.*

If a cold room includes more units, each unit shall be provided with its own safety device.

Connect the unit paying attention to the colours of the supply cable wires:

- |                   |         |  |
|-------------------|---------|--|
| a) 230V/1/50-60Hz | 3 wires | Blue = Neutral<br>Yellow/Green = Ground<br>Brown = Phase                                   |
| b) 230V/3/50-60Hz | 4 wires | Blue = Phase<br>Yellow/Green = Ground<br>Brown = Phase<br>Black = Phase                    |
| c) 400/3/50 Hz    | 5 wires | Blue = Neutral<br>Yellow/Green = Ground<br>Brown = Phase<br>Black = Phase<br>Black = Phase |



We advise to install a microswitch (not supplied) on the cold room door which will

- switch on the light in the cold room, stop the unit and
- override the temperature alarm (for about one hour after door closing)

every time the door is opened.

The necessary cable is available with the unit. Connect it keeping in mind the following:  
 microswitch closed = door closed.

**ATTENTION**



**Above microswitch is not supplied with the unit. If the microdoor cable is disconnected or damaged, the same conditions will occur as in case of open door and connected microdoor.**

"L" RANGE units (L = low temperature) are supplied with a cable for door heater connection, to be made using a fuse suitable for the door heater used.

The unit is also equipped with a cable for cold room lamp connection (lamp voltage should be 230 V and lamp max capacity 100 Watts).

**ATTENTION**



**Do not connect microdoor, cold room light or door heater cables to the 230V line. Each cable is equipped with a plate showing how it should be connected.**

**WARNING**

**Any defective electrical part should be replaced by trained personnel exclusively.**



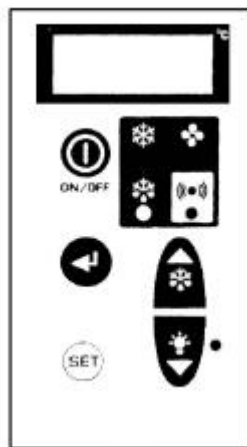
**The electric connection should be effected by qualified personnel.**

**7.2 Connection to water system (water condenser)**

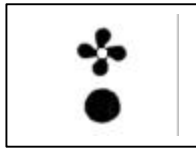
This connection is only necessary if the unit has a water-cooled condenser. It is effected by following the indications of the tags positioned by the inlet and outlet pipes. Connection pipes should never be smaller in diameter than those on the unit. A minimum water pressure of 1 bar is required for correct operation of the unit.

**8 Electric controls**

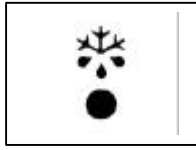
**8.1 Control panel**



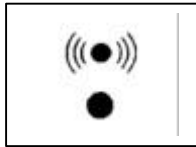
1. Control LED (GREEN)  
ON : compressor is running, unit is refrigerating.  
Flashing : compressor is in start delay mode.  
OFF : compressor is off, room temperature is down to set value.



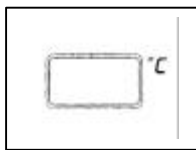
2. Control LED (GREEN)  
ON : evaporator fan is running.  
Flashing : evaporator fan is in start delay mode.  
OFF : evaporator fan is off. Defrost is in course.



3. Control LED (YELLOW)  
ON : Automatic or manual defrost is in course.



4. Alarm LED (RED)  
ON : alarm has been activated because of a malfunctioning sensor, or pressure switch intervention, or cold room temperature exceeding allowed tolerances.  
OFF : Unit is operating normally.



5. DISPLAY : on connection to the mains it shows OFF to indicate the condition of the unit. By pressing ON/OFF key for 3 seconds the unit is turned ON and the display shows the cold room temperature. In programming mode the parameters to be set are displayed; in alarm mode the alarm code is displayed.



6. "SET" key : when pressed for 2 seconds it lights up and allows room temperature to be set. During programming it is used to pass from a submenu to an upper one.



7. "DOWN/ROOM LIGHT" key: in programming mode or when setting room temperature it is used to reduce the value displayed; otherwise it is used to switch on/off the cold room light.



6. "SB.M./UP" key: in programming mode it is used to increase the values displayed. If pressed for more than 5 seconds it enables manual defrost to be carried out.



7. "ON/OFF" key: when pressed for 2 seconds it turns the unit on or off.



8. "Enter" key: it gives access to programming menu and submenus. Access to the programming mode requires the installator's assistance and should be effected only if necessary.

## 9 Checks, regulations and adjustments

Before turning the unit on, check that:

- locking screws are tight
- electrical connections have been carried out correctly.

In the event that the unit has been opened:

- no tools were left inside
- assembly is correct
- there are no gas leaks

- front cover is secured correctly

## 9.1 Starting

Before starting the unit act as follows:

- Connect the unit to the mains. The display is turned on and shows OFF.
- If the unit has a preheating cycle, leave it in this condition for at least 3 hours.
- If the unit has a voltage monitor, leave it in this condition for at least 7 minutes to have the counting phase carried out
- Set the required cold room temperature.
- Press ON/OFF key to switch the unit on.



### ATTENTION

<b>H range:</b>	<b>min temp. <math>-5^{\circ}\text{C}</math> max. temp. <math>+10^{\circ}\text{C}</math></b>
<b>General purpose:</b>	<b>recommended temperature: <math>+3^{\circ}\text{C}</math></b>
<b>Chilled:</b>	<b>recommended temperature: <math>+1^{\circ}\text{C}</math></b>
<b>Fresh meat:</b>	<b>recommended temperature: <math>-2^{\circ}\text{C}</math></b>
<b>L range:</b>	<b>min temp. <math>-25^{\circ}\text{C}</math> max. temp. <math>-15^{\circ}\text{C}</math> rec. temp <math>-21^{\circ}\text{C}</math></b>

Setting room temperature:

- Connect the unit to the mains. OFF is displayed.
- Press SET for three seconds. The green led lights up and the previously set temperature is displayed.

To change this value press following keys:



UP to increase temperature



DOWN to decrease temperature

Press SET key to confirm the set value.

Now the unit is operating and does not require any further programming. The refrigerating cycle is fully automatic according to the factory-set parameters, which can be modified by authorised personnel only.



### ATTENTION

**24 hours after starting check evaporator state. If ice has formed, defrost frequency should be increased. In low temperature units the evaporator condition should be checked every week during the first month of operation.**

## 10. Wiring

A wiring diagram, specific for the units of the Solo series, is enclosed with these use and maintenance instructions.

## 11. Maintenance and repairs

Suitable maintenance is crucial for obtaining longer life, perfect working conditions and high efficiency of the unit as well as for ensuring the safety features provided by the manufacturer.

## 12 Routine maintenance

Good operation of the unit requires the condenser to be cleaned periodically (frequency of cleaning depends on the environment where the unit is installed).

Turn off the unit and clean it by blowing air from the inside outwards. Should no air jet be available, use a long-haired brush and work on the outside of the condenser.

In case of water-cooled condensers have the unit cleaned by a plumber with special descaling agents.



### **WARNING**

***Use safety gloves to protect your hands from possible cuts.***



### **WARNING**

***Disconnect the unit before working on it.***

#### **12.1 Periodical maintenance**

Periodically check wear condition of electrical contacts and remote switches; if necessary replace them.

#### **12.2 Service operations to be carried out by qualified technicians or by the manufacturer**

Following operations shall be carried out by qualified technicians or by the manufacturer exclusively. Under no circumstances the user is allowed to:

- replace electrical components
- work on the electric equipment
- repair mechanical parts
- work on the refrigerating system
- work on the control panel, ON/OFF and emergency switches
- work on protection and safety devices.

#### **12.3 Troubleshooting**

During operation following troubles may occur:

1. Compressor stops. The unit is equipped with an overtemperature device which stops the compressor every time the max. allowable temperature of motor windings is exceeded. Possible causes are:

- insufficient ventilation of the room where the unit is installed;
- anomaly in mains voltage;
- faulty operation of condenser fan.

Device reset is automatic.

2. Ice forms on the evaporator preventing air from flowing regularly.

Possible causes are:

- the door is opened too frequently;
- faulty operation of evaporator fan;
- faulty solenoid valve (in models with hot gas defrost);
- faulty defrost heater (in models with electric defrost);
- faulty defrost process. In this case some measures can be taken:

increase defrost termination temperature by some degrees, increase number of defrosts.

### **ATTENTION**



***Do not use either hot water or any pointed, cutting, metal objects to remove ice blocks.***

3. Display does not light up. Check:

- if there is power to the unit;
- if mains cable is connected properly;
- fuses inside the electric panel

4. Unit does not start operating when pressing ON/OFF key (the display is turned on): check microdoor connection keeping in mind that the switch contact must be closed when the door is closed.

### Unsatisfactory efficiency of the unit:

If no defects are found in the unit check that: cold room doors are perfectly tight; there is no cold dispersion; the cold room is used wisely; no unfrozen liquids or foodstuffs are placed in the low temperature room; the evaporator is ice-free.

We recommend installation of the machines far from the doors especially when the cold room is expected to be opened many times a day.



#### **WARNING:**

**Removal of protections during machine operation is absolutely forbidden. They have been developed to safeguard the operator's safety.**

## 12.4 Alarms

When the unit is in alarm mode, the control LED lights up, the buzzer (available if installed by the customer) starts operating and the display shows an alarm code allowing the immediate identification of the alarm.

ALARM	DISPLAY	CAUSE	REMEDY
High temperature	(HI) alternating with cold room temperature.	Excessive door openings. Too high temperature of products stored. Malfunction of the unit.	
Low temperature	(LO) alternating with cold room temperature.	Malfunction of electronic controller	Service intervention
Room sensor	Steady (E0).	Sensor not connected	Replace sensor
Evaporator sensor	(E1) alternating with cold room temperature	Sensor not connected	Replace sensor
High pressure	(HH) alternating with room temperature; LED (4) lights up each time the high pressure switch is tripped. If more than 10 trips occur in one hour, then (PP) alternating with cold room temperature is displayed and alarm relay is activated together with LED (4). In this situation all functions are interrupted.	Faulty operation of condenser fan. Dirty condenser.	Switch off the refrigerating unit, wait a few seconds and switch on again.

Voltage monitor	(AM) alternating with cold room temperature. The voltage monitor is an electronic device which checks the supply voltage of the unit when voltage variations exceed +/-12%. The unit stops for about 6 minutes and restarts automatically if voltage is within the prescribed limits. Warning: on first starting the monitor carries out a counting phase of 7 minutes, during which the unit should be left connected but in OFF condition.	Wrong supply voltage	
-----------------	--	----------------------	--

### 13 HOW TO ORDER SPARE PARTS

When ordering spare parts make reference to the number written on the unit plate.



#### **WARNING**

***Worn parts should be replaced only by qualified personnel or by the manufacturer.***

### 14 HOW TO DISPOSE OF THE PACKING

Wooden, plastic, polystyrene packing shall be disposed of according to the regulations in force in the country where the unit is used.

### 15 HOW TO DISPOSE OF THE UNIT

Do not discharge scrapped components in the environment. They should be disposed of by companies dealing with special waste collection and recovery, according to the regulations in force in the country where the unit is used.



#### **WARNING**

***Do not discharge the refrigerant in the atmosphere. It should be disposed of by companies dealing with special waste collection and recovery.***

## **INDICE ARGOMENTI**

- 1. Avvertenze importanti e di sicurezza**
- 2. Tabella riassuntiva delle targhette**
- 3. Descrizione della macchina**
- 4. Funzionamento della macchina**
- 5. Movimentazione della macchina**
  
- 6. Installazione della macchina**
  - 6.1 Segnalazioni
  - 6.2 Ingombri della macchina
  - 6.3 Posa in opera della macchina
  - 6.4 Spazi liberi di rispetto
  - 6.5 Montaggio della macchina
  - 6.6 Fissaggio del pannello remoto
  - 6.7 Protezioni ed accorgimenti adottati ai fini della sicurezza
  - 6.8 Pulizia
  
- 7 Allacciamento della macchina alle fonti di energia**
  - 7.1 Allacciamento energia elettrica
  - 7.2 Allacciamento impianto idraulico
  
- 8. Comandi elettrici**
  - 8.1 Pannello di comando e controllo
  
- 9. Controlli, regolazioni e registrazioni da effettuare**
  - 9.1 Messa in servizio della macchina
  
- 10. Schema impianto elettrico della macchina**
  
- 11. Manutenzione e riparazione della macchina**
  
- 12 Manutenzione ordinaria**
  - 12.1 Manutenzione straordinaria
  - 12.2 Interventi che devono essere effettuati da personale qualificato o dal costruttore
  - 12.3 Inconvenienti tecnici
  - 12.4 Allarmisignalati dal controllore elettronico
  
- 13 Come ordinare i ricambi**
- 14 Smaltimento dell'imballo**
- 15 Smaltimento della macchina**

La ringraziamo per la fiducia che ha voluto concederci scegliendo un prodotto Foster.  
La preghiamo di leggere attentamente questo libretto, preparato appositamente, con consigli ed avvertenze sul corretto modo di installazione, uso e manutenzione del prodotto, al fine di utilizzarne al meglio tutte le caratteristiche.

## 1 AVVERTENZE IMPORTANTI E DI SICUREZZA

Vengono, di seguito, elencate alcune raccomandazioni relative alla sicurezza, da seguire nell'installazione e nell'uso della macchina.

- L'installazione della macchina deve essere completata conformemente agli schemi ed alle raccomandazioni fornite dal costruttore.
- I danni dovuti a collegamenti impropri sono esclusi.
- Il conduttore neutro, anche se a terra, non è ammesso come conduttore di protezione
- L'impianto elettrico dell'ambiente in cui viene eseguita l'installazione deve essere conforme alle norme vigenti per gli impianti elettrici.
- La manutenzione della macchina deve essere effettuata da personale istruito o dal costruttore, seguendo tutte le disposizioni dettate dalla normativa EN378.



### **AVVERTENZA**

***Per evitare tagli alle mani , usare guanti di protezione***

Per qualsiasi utilizzo non previsto della macchina, in particolar modo campo di impiego o comunque per qualsiasi intervento che si voglia effettuare sulla macchina, si fa obbligo all'Utilizzatore di informarsi presso il costruttore circa le eventuali controindicazioni o pericoli derivanti da uso improprio della macchina.

- La macchina deve essere impiegata in conformità alle istruzioni di impiego e per l'uso previsto dal costruttore. Qualsiasi impiego scorretto della macchina rappresenta una condizione anomala e può arrecare danno al mezzo e costituire un serio pericolo per la salute delle persone.



### **ATTENZIONE**

***La macchina non è stata costruita per lavorare in ambiente esplosivo. E' quindi assolutamente vietato l'utilizzo della macchina in atmosfera con pericolo di esplosione.***



### **ATTENZIONE**

***La macchina non è stata costruita per lavorare in ambiente salino. In tal caso è necessario proteggere il condensatore o l'evaporatore con i sistemi più idonei.***

In caso di manutenzione con necessità di intervento sul circuito frigorifero, è necessario svuotare l'impianto e portarlo alla pressione atmosferica.



### **AVVERTENZA**

***Il fluido frigorifero non deve essere scaricato in atmosfera, deve essere recuperato con l'apposita attrezzatura a cura di tecnici specializzati***

- La ricarica del refrigerante deve avvenire seguendo le indicazioni riportate sulla targhetta tecnica per quanto riguarda tipo e quantità.
- Non è ammesso l'uso di alcun tipo diverso di refrigerante, tanto meno refrigeranti di tipo infiammabile (idrocarburi) o di aria.
- Non sono ammesse modifiche o alterazioni del circuito frigorifero o dei componenti, come saldature sul corpo compressore.
- L'utente finale deve proteggere l'impianto da pericoli di incendio provenienti dall'esterno



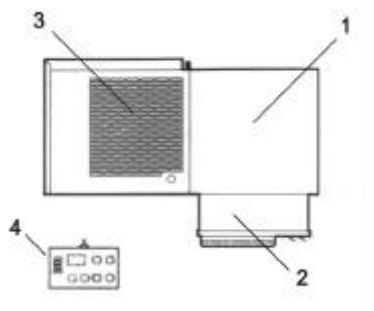
2 Tabella riassuntiva delle targhette



	<p><i>Fluido frigorifero</i></p>
	<p><i>Scarico condensa</i></p>
	<p><i>Attenzione : parti calde o fredde</i></p>
	<p><i>Attenzione : prima di operare sulla macchina togliere la corrente</i></p>
	<p><i>Attenzione : pericolo di folgorazione</i></p>
	<p><i>Collegare questo cavo a un interruttore magnetotermico. Mai direttamente alla linea principale</i></p>
	<p><i>Senso di rotazione</i></p>
	<p><i>Colorazione fili cavo alimentazione</i></p>
	<p><i>Attenzione – importante : pulire periodicamente il condensatore con getto d'aria dall'interno verso l'esterno. Eseguire con macchina ferma</i></p>
	<p><i>Cavo luce cella</i></p>
	<p><i>Cavo micro porta</i></p>
	<p><i>Cavo resistenza porta</i></p>

### 3 Descrizione della macchina

Le unità della serie Solo sono gruppi frigoriferi condensati ad aria o ad acqua (optional) costruiti seguendo il concetto di unità monoblocco, sono composti da:



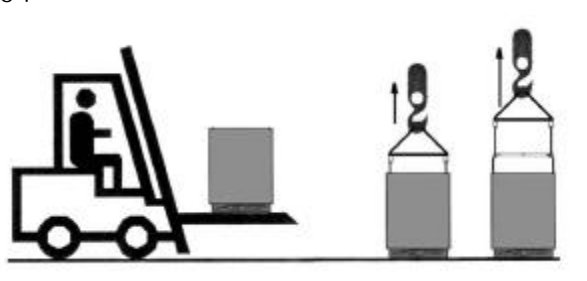
1. una unità condensante installata esternamente alla cella
2. una parte evaporante inserita in un cassoneto coibentato ed installata esternamente alla cella.
3. un quadro elettrico di controllo e comando, posto sulla unità condensante.
4. un pannello di comando remoto fissato a parete

### 4 Funzionamento della macchina

Gli **uniblock Solo** sono gruppi frigoriferi a compressione nei quali la produzione del freddo avviene per vaporizzazione a bassa pressione in uno scambiatore termico (evaporatore) di un fluido frigorifero liquido, tipo HFC; il vapore così ottenuto viene ricondotto allo stato liquido mediante compressione meccanica ad una pressione più elevata, seguita da un raffreddamento in un altro scambiatore termico (condensatore). Il compressore frigorifero è di tipo ermetico, a moto alternativo, alimentato dalla rete elettrica monofase o trifase. Lo sbrinamento avviene in modo automatico preprogrammato, con frequenza ciclica, con possibilità di intervento anche manuale.

### 5 Movimentazione della macchina

La movimentazione della macchina può essere effettuata con mezzi di sollevamento e trasporto.



#### AVVERTENZE



*Porre la massima attenzione affinché nessuno transiti nell'area di manovra del mezzo di sollevamento e trasporto, in modo tale da evitare qualsiasi possibilità di infortunio al personale durante la movimentazione del carico sospeso.*



*Qualora la macchina venga spedita imballata in una cassa o gabbia di legno, la movimentazione dovrà essere effettuata imbragando l'imballo in modo adeguato.*



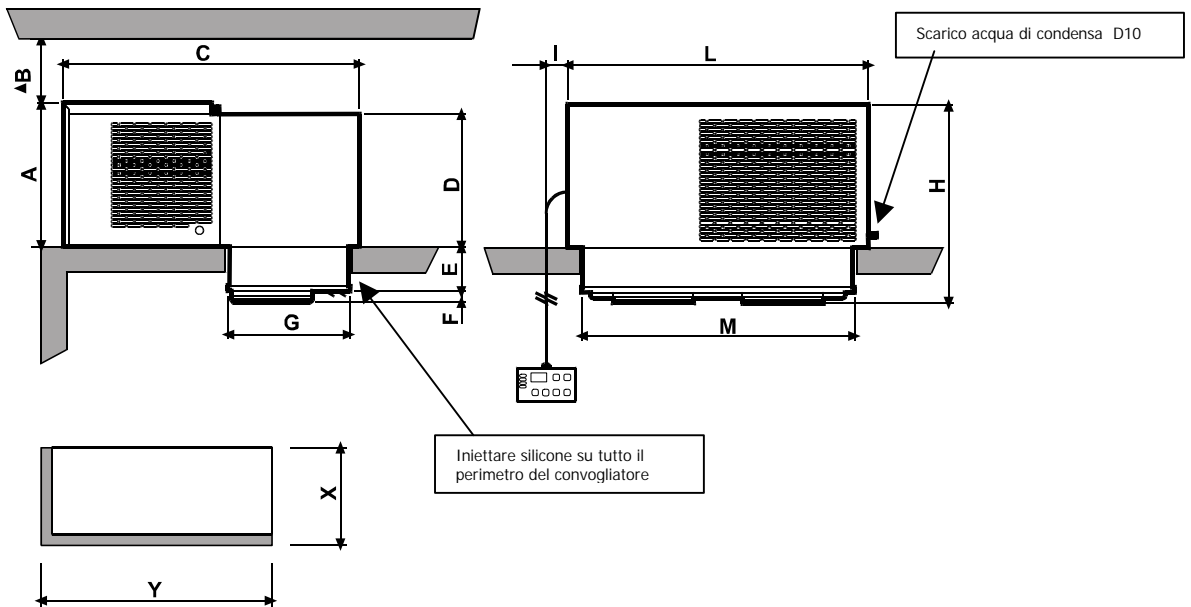
*Prestare particolare attenzione affinché la velocità di sollevamento della macchina imballata sia tale da evitare oscillazioni con pericolo di rottura delle funi di sollevamento.*

### 6 Installazione della macchina

### 6.1 Segnalazioni

Il costruttore ha previsto l'apposizione di cartelli di avvertenza e di attenzione con le segnalazioni riportate nella tabella riassuntiva

### 6.2 Ingombri della macchina

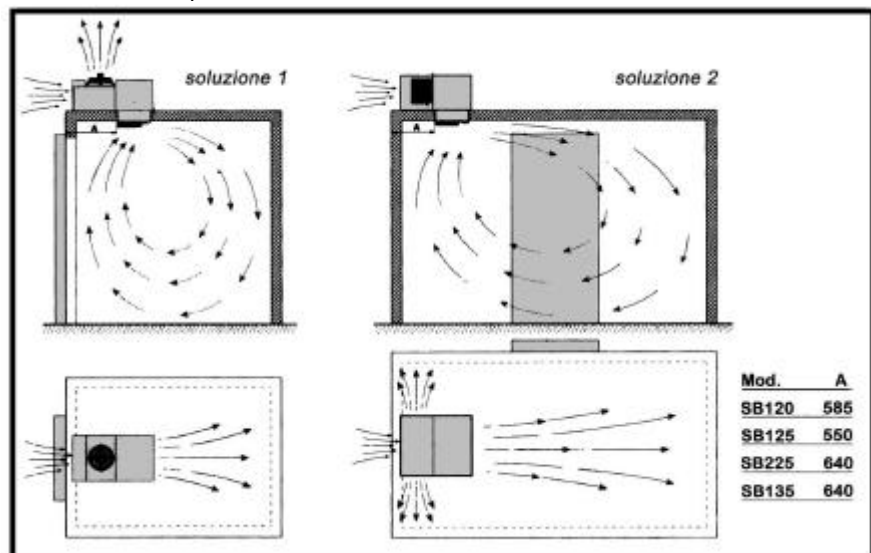


	A	B	C	D	E	F	G	H	I	L	M	X	Y
SP1/SP2	357	250	719	340	122	28	332	506	60	620	545	337	550
SP3/SP4	390	250	809	360	122	28	332	540	60	820	745	337	750
SP5	427	250	929	410	122	98	452	645	60	820	745	456	750

### 6.3 Posa in opera della macchina

Per ottenere un funzionamento ottimale dell'unità si consiglia di:

- A)** Posizionare la macchina in ambiente con un buon ricambio d'aria e lontana da elevate fonti di calore. Nel caso sia necessario, installare nell'ambiente un estrattore d'aria
  - B)** Aprire la cella il minimo indispensabile
  - C)** Assicurarsi che l'unità abbia la possibilità di una buona aspirazione, e di un'altrettanto buona espulsione dell'aria movimentata.
  - D)** Collegare allo scarico dell'acqua di condensa, posto nella parte inferiore dell'unità, un tubo per l'evacuazione dell'acqua.
- N.B.:** Le unità Solo sono dotate del sistema di evaporazione dell'acqua di condensa, lo scarico è solo una precauzione nel caso di anomalie di funzionamento o di uso.



#### 6.4 Spazi liberi di rispetto

Al fine di consentire un uso corretto della macchina e permettere un'agevole manutenzione della stessa, in condizioni di sicurezza, si prevede che l'installazione avvenga in una posizione che rispetti gli spazi liberi minimi per l'apertura della macchina

#### 6.5 Montaggio

Praticare un foro, sulla parete della cella, di dimensioni idonee, vedi figure precedenti

A) Posizionare l'unità sulla cella infilando dall'esterno la parte evaporante nel foro della cella preventivamente predisposto.

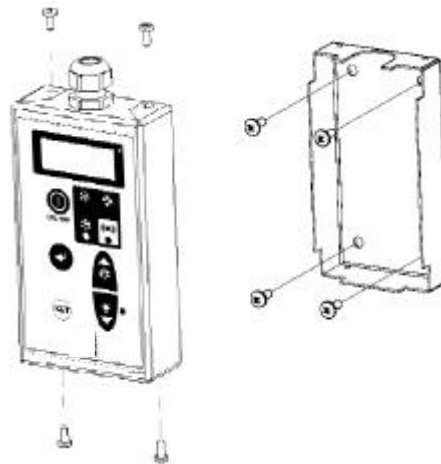
N.B.: SP1, SP2, SP3, SP4, SP5 sono modelli che non necessitano di punti di fissaggio

#### 6.6 Fissaggio del pannello remoto:

Smontare il coperchio del pannello remoto, svitando le viti laterali di chiusura.

Fissare il fondo del pannello remoto alla parete prescelta, utilizzando i fori esistenti, avendo cura di mantenere una posizione verticale.

Richiudere il pannello montando il coperchio (operazione inversa). Sistemare il cavo di collegamento tra pannello ed unità avendo cura di non affiancarlo ad altri cavi esistenti nell'impianto.



#### ATTENZIONE

Verificare che il trasporto non abbia causato danni all'unità e alle apparecchiature in essa contenute, in special modo ai componenti fissati sulla porta del quadro elettrico ed alle tubazioni dell'impianto frigorifero. Procedere quindi al montaggio su cella come indicato dagli schemi, ponendo particolare attenzione al collegamento elettrico.



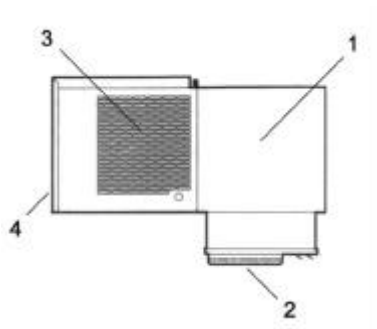
#### 6.7 Protezioni ed accorgimenti adottati ai fini della sicurezza

Il costruttore ha predisposto le seguenti protezioni meccaniche

1. Protezioni fisse laterali e frontali dell'unità evaporatore e dell'unità condensante: sono fissate alla carpenteria mediante viti di bloccaggio.
2. Protezioni fisse esterne elettroventilatori sull'unità evaporante: sono fissate con viti autobloccanti

Il costruttore ha predisposto le seguenti protezioni elettriche:

- a. Protezione termica ventilatori (incorporati nei motori) a reinserimento automatico: protezione degli elettroventilatori da assorbimenti elevati di corrente
- b. Pressostato di alta pressione a reinserimento automatico (solo per gruppi ove previsto): protezione contro pressioni troppo elevate



**AVVERTENZE**

*Le protezioni sono state predisposte dal costruttore al fine di salvaguardare l'incolumità dell'operatore durante lo svolgimento delle sue mansioni*

**6.8 Pulizia della macchina**

Pulire con cura la macchina, asportando la polvere e le sostanze estranee ed imbrattature che si fossero eventualmente depositate durante la movimentazione, utilizzando detergenti o sgrassanti.

**ATTENZIONE**



*Non impiegare solventi*

**7 Allacciamento della macchina alle fonti esterne di energia**

**ATTENZIONE**



*Prima di effettuare il collegamento elettrico, accertarsi che il voltaggio e la frequenza della rete di alimentazione corrispondano a quanto riportato sulla targhetta dell'unità e che la tensione sia entro la tolleranza del +/- 10% rispetto al valore nominale.*

**7.1 Allacciamento energia elettrica**

Dopo l'ispezione preventiva fatta sui componenti del quadro si procede al collegamento elettrico.

**ATTENZIONE**



*Il collegamento alla linea deve essere fatto tramite un opportuno dispositivo di protezione (magnetotermico o magnetotermico differenziale) scelto dall'installatore in base al tipo di linea e all'assorbimento indicato sulla targhetta della macchina.*

Quando in una cella ci sono più unità è opportuno che ogni macchina abbia un proprio dispositivo di protezione.

Si procede quindi all'allacciamento dell'unità tenendo presente la colorazione dei fili che escono dal cavo di alimentazione:

- |                   |       |   |
|-------------------|-------|---|
| a) 230V/1/50-60Hz | 3fili | Blu=Neutro<br>Giallo/verde=terra<br>Marrone=fase            |
| b) 230V/3/50-60Hz | 4fili | Blu=fase<br>Giallo/verde=terra<br>Marrone=fase<br>Nero=fase |
| c) 400/3/50 Hz    | 5fili | Blu=neutro<br>Giallo/verde=terra<br>Marrone=fase            |

Nero=fase  
Nero=fase

Si consiglia l'applicazione di un microinterruttore sulla porta della cella il quale provoca automaticamente ad ogni apertura:

- accensione luce cella, arresto della macchina.
- esclusione allarme temperatura (per circa un'ora dopo la chiusura della porta).

L'unità è dotata del cavo necessario a tale collegamento, e segue questa logica :

-contatto microinterruttore chiuso = Porta chiusa.



### **ATTENZIONE**

Il sopracitato microinterruttore non è in dotazione con l'unità, qualora il cavo microporta venga interrotto o danneggiato, si verificheranno le stesse condizioni che si rivelano a porta aperta con microporta collegato.

Con le unità della GAMMA "L" (Bassa temperatura) è in dotazione un cavo per il collegamento della resistenza porta. Questo collegamento deve essere eseguito utilizzando un fusibile dimensionato in funzione della resistenza porta utilizzata .

L'unità è dotata pure del cavo per il collegamento della lampada luce cella (a lampada luce cella deve avere una tensione di 230 Volt e 100 Watt di potenza massima)

### **ATTENZIONE**



**Non collegare i cavi micro porta, luce cella o resistenza porta alla linea 230 volt. Le targhette attaccate ad ogni cavo indicano il collegamento da eseguire.**

### **AVVERTENZA**



**L'eventuale sostituzione di parti elettriche difettose dovrà essere effettuata solo ed esclusivamente da personale istruito.**

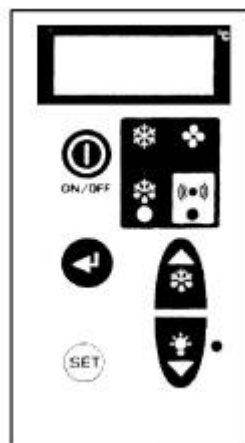
**L'allacciamento elettrico deve essere eseguito da persona competente.**

## **7.2 Allacciamento impianto idraulico (condensatore ad acqua)**

Questo collegamento si rende necessario solo se la condensazione avviene ad acqua e deve essere eseguito rispettando le targhette **ENTRATA** ed **USCITA** acqua poste in vicinanza dei tubi su cui collegarsi. Tenere presente che i tubi utilizzati per questo collegamento non devono essere mai di diametro inferiore a quelli posti sull'unità e che la pressione minima per una buona circolazione dell'acqua deve essere di almeno **1 bar**.

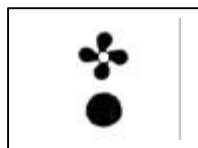
## **8 Comandi elettrici**

### **8.1 Pannello di comando e controllo**





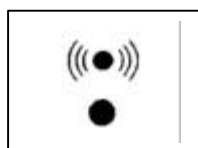
1. LED di controllo (VERDE)  
Acceso : il compressore è in marcia, l'unità produce freddo.  
Lampeggiante : il compressore è in una fase di ritardo accensione  
Spento : il compressore è fermo, la temperatura in cella ha raggiunto i valori impostati.



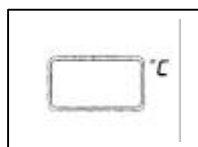
2. LED di controllo (VERDE)  
Acceso : La ventola evaporatore è in funzione  
Lampeggio : La ventola evaporatore è in una fase di ritardo partenza  
Spento : La ventola evaporatore è ferma. Siamo in fase di sbrinamento.



3. LED di controllo (GIALLO)  
Acceso : E' in atto la fase di sbrinamento automatico o manuale.



4. LED allarme (ROSSO)  
Acceso : allarme in atto causato dal malfunzionamento di una sonda o intervento del pressostato o temperatura cella oltre la tolleranza accettabile.  
Spento : Unità in funzionamento normale



5. DISPLAY : All'accensione viene visualizzata la label OFF indicante lo stato di spegnimento della macchina. Premendo per tre secondi il tasto on/off si accende la macchina e viene visualizzato il valore della temperatura in cella. In fase di programmazione vengono visualizzati di volta in volta i valori dei parametri impostabili, mentre viene visualizzato un codice di identificazione del tipo di allarme.



9. Tasto "SET" : Premuto per 2 secondi permette l'impostazione del set di lavoro. La fase di impostazione è segnalata dall'accensione del led del tasto.



10. Tasto "DOWN/LUCE CELLA" : In fase di programmazione od impostazione del set questo tasto serve per diminuire il valore impostato; altrimenti è utilizzato per accendere o spegnere la luce cella



8. Tasto "SB.M./UP" : Tasto per l'incremento dei valori impostabili. Consente anche l'esecuzione dello sbrinamento in modo manuale premendo per un tempo superiore ad 5 secondi.



9. Tasto "ON/OFF" : Per accendere o spegnere la macchina è necessario tenerlo premuto per 2 secondi.



10. Tasto "Enter" : Permette l'accesso in programmazione. Si consiglia di non accedere alla programmazione se non in casi di necessità e se assistiti dall'installatore.

## 9 Controlli, regolazioni e registrazioni da effettuare

- Prima di accendere la macchina, verificare:  
-che le viti di bloccaggio siano serrate

- che i collegamenti elettrici siano stati eseguiti correttamente
- Nel caso di apertura dell'unità, verificare:
- che nessun attrezzo sia stato dimenticato all'interno della macchina
  - che il montaggio sia stato effettuato correttamente
  - che non vi siano fuoriuscite di gas
  - che il frontale sia stato fissato correttamente

### 9.1 Messa in servizio della macchina

Prima di mettere in funzione il gruppo frigorifero è necessario effettuare le operazioni seguenti.

- Dare tensione al gruppo. Il display si accende e presenta la scritta OFF
- Se la macchina prevede il preriscaldamento è necessario mantenerla in questo stato per almeno tre ore.
- Se la macchina prevede il monitor di tensione è necessario mantenerla in OFF per almeno 7 minuti affinché il monitor effettui la fase di conteggio.
- Regolare il set - point della temperatura cella.
- Attivare la macchina premendo il tasto ON/OFF



#### ATTENZIONE

<b>Serie H:</b>	<b>temp. min <math>-5^{\circ}\text{C}</math> temp. max. <math>+10^{\circ}\text{C}</math></b>
<b>Utilizzo generale:</b>	<b>temperatura consigliata: <math>+3^{\circ}\text{C}</math></b>
<b>Raffreddamento:</b>	<b>temperatura consigliata: <math>+1^{\circ}\text{C}</math></b>
<b>Carne fresca:</b>	<b>temperatura consigliata: <math>-2^{\circ}\text{C}</math></b>
<b>Serie L:</b>	<b>temp. min. <math>-25^{\circ}\text{C}</math> temp max. <math>-21^{\circ}\text{C}</math></b>

Programmazione set temperatura cella:

- Dare tensione alla macchina. Sul display comparirà la scritta OFF.
  - Per impostare il set di lavoro desiderato premere per tre secondi il tasto SET. Si accenderà il led verde e sul display verrà visualizzato il valore impostato.
- Se si desidera modificare tale valore premere il tasto



UP per aumentare



DOWN per diminuire

Premere il tasto SET per confermare il valore impostato.

L'unità è ora funzionante e non necessita di nessuna altra programmazione. Tutto il ciclo di funzionamento è completamente automatico e regolato da particolari parametri che sono prestabiliti ed impostati dal costruttore. Per qualsiasi variazione a tali parametri è necessario rivolgersi a personale autorizzato.



#### ATTENZIONE

**Dopo 24 ore dalla messa in funzione, controllare le condizioni dell'evaporatore. Se presenta formazioni di ghiaccio, deve essere diminuito l'intervallo tra gli sbrinamenti. Per le unità bassa temperatura ripetere questo controllo settimanalmente per il primo mese di esercizio.**

### 10. Schema impianto elettrico della macchina

Le macchine della serie Solo sono caratterizzate da specifico impianto elettrico, il cui schema viene allegato al presente manuale d'uso e manutenzione.

### 11. Manutenzione e riparazione

Un'adeguata manutenzione costituisce fattore determinante per una maggiore durata della macchina in condizioni di funzionamento e di rendimento ottimali e per garantire le condizioni di sicurezza predisposte dal Costruttore.



## 12. **Manutenzione ordinaria**

Per poter contare sempre sul buon funzionamento dell'unità è necessario eseguire periodicamente la pulizia del condensatore (la periodicità di questa pulizia dipende principalmente dall'ambiente in cui è installata l'unità).

Questa operazione è da eseguirsi con l'unità ferma: si consiglia di utilizzare getto d'aria soffiando dall'interno verso l'esterno. Qualora non fosse possibile utilizzare un getto d'aria, eseguire con un pennello a setola lunga sull'esterno del condensatore. Nel caso di condensazione ad acqua è consigliabile far eseguire l'operazione di pulizia da un idraulico, utilizzando appositi additivi disincrostanti che si trovano in commercio.



### **AVVERTENZA**

**Per evitare tagli alle mani , usare guanti di protezione**



### **AVVERTENZA**

**Prima di operare sulla macchina, togliere la corrente**

### 12.1 **Manutenzione straordinaria**

Controllare periodicamente lo stato di usura dei contatti elettrici e dei teleruttori, ed eventualmente sostituirli.

### 12.2 **Interventi che devono essere effettuati da personale qualificato o dal costruttore**

Si elencano qui di seguito gli interventi manutentivi che richiedono una precisa competenza tecnica e che quindi devono essere eseguiti da personale qualificato o dal Costruttore.

L'Utente non dovrà per nessun motivo effettuare:

- sostituzione di componenti elettrici
- interventi sull'impianto elettrico
- riparazioni di parti meccaniche
- interventi sull'impianto frigorifero
- interventi sul pannello di comando , sugli interruttori di marcia, arresto e arresto di emergenza
- interventi sui dispositivi di protezione e di sicurezza.

### 12.3 **Inconvenienti tecnici**

Gli inconvenienti che si possono verificare durante il funzionamento della macchina possono essere:

1. Blocco compressore. Esiste un dispositivo di protezione che interviene ogni qualvolta venga superata la temperatura massima ammissibile per gli avvolgimenti del motore elettrico del compressore. Ciò può accadere se:

il locale che ospita l'unità non è sufficientemente ventilato.

Vi sono anomalie nella rete elettrica di alimentazione

Il funzionamento del ventilatore del condensatore è anomalo

Il ripristino del dispositivo di protezione è automatico

2. Formazione di ghiaccio sull'evaporatore (ciò impedisce il regolare flusso dell'aria). Può essere causato da:

Eccessive aperture della porta

Funzionamento anomalo del ventilatore dell'evaporatore

Avaria della valvola solenoide (modelli con sbrinamento gas caldo)

Avaria della resistenza di sbrinamento (per modelli con sbrinamento elettrico)

Imperfetto funzionamento dello sbrinamento

In questo caso è possibile usare alcuni accorgimenti: aumentare di qualche grado la temperatura del termostato di fine sbrinamento, aumentare il numero degli sbrinamenti

## ATTENZIONE



**Per le operazioni di scongelamento di eventuali blocchi di ghiaccio nell'evaporatore, è assolutamente sconsigliabile l'uso di strumenti metallici, taglienti, appuntiti o l'utilizzo di acqua calda**

3. In caso di mancata accensione del display della centralina verificare: la presenza di tensione, il corretto collegamento del cavo di alimentazione, i fusibili all'interno del quadro elettrico
4. Se il display si accende e premendo il tasto ON/OFF la macchina non parte, verificare il corretto collegamento del microporta ricordando che a contatto chiuso deve corrispondere la porta chiusa

### Resa insufficiente della macchina:

In caso di resa insufficiente, dopo aver ricercato le cause tecniche e non riscontrando anomalie nell'impianto, è necessario controllare che le porte della cella siano a perfetta tenuta; che la cella non abbia dispersioni di freddo; che il personale usi la cella con accortezza e che nella cella impiegata a bassa temperatura non siano immesse derrate, liquidi non congelati, o che non vi sia la presenza di ghiaccio nell'evaporatore. E' consigliabile inoltre montare le macchine lontano dalle porte, in special modo nei casi in cui si prevedano molte aperture giornaliere.



## AVVERTENZA:

**E' assolutamente vietato, durante il funzionamento della macchina, togliere le protezioni predisposte dal costruttore allo scopo di salvaguardare l'incolumità dell'utilizzatore.**

### 12.4 Allarmi segnalati dal controllore

Quando l'unità entra in allarme, oltre all'accensione del Led di controllo ed all'accensione dell'eventuale segnale acustico (installato a cura del cliente), sul display vengono visualizzati dei codici, che permettono una immediata identificazione del tipo di allarme.

ALLARME	DISPLAY	CAUSA	RIMEDIO
alta temperatura	(HI) alternato alla temperatura cella.	Eccessive aperture porta Carico prodotto in cella troppo caldo Malfunzionamento impianto frigorifero	
bassa temperatura	(LO) alternato alla temperatura cella.	-Malfunzionamento controllore elettronico	Intervento assistenza tecnica
sonda ambiente	(E0) fisso	Sonda interrotta	Sostituzione sonda
sonda evaporatore	(E1) alternato alla temperatura cella.	Sonda interrotta	Sostituzione sonda
Alta pressione	Quando si verifica l'allarme di alta pressione, sul display appare (HH) alternato alla temperatura cella si accende il led (4), ad ogni intervento del pressostato di alta pressione. Se il numero di interventi del pressostato di alta pressione è superiore a 10 nell'intervallo di un'ora,	Verificare funzionamento della ventola condensatore Verificare pulizia condensatore	togliere tensione al gruppo frigorifero, attendere qualche secondo e ridare tensione .

	<p>comparirà sul display (5) la scritta (PP) alternata alla temperatura cella, e si attiverà oltre al led (4) il relè di allarme.</p> <p>In queste condizioni tutte le funzioni sono bloccate.</p>		
Monitor di tensione	<p>(AM) alternato alla temperatura cella.</p> <p>Il monitor è un dispositivo elettronico che permette di controllare la tensione di alimentazione della macchina. Più precisamente se la tensione di alimentazione subisce delle variazioni superiori a +/- 12% si ha l'intervento del dispositivo. La macchina resta ferma per circa 6 minuti dopodichè, se le condizioni lo consentono, riparte automaticamente.</p> <p>Avvertenza: Alla prima accensione il monitor effettua un conteggio di circa 7 minuti. E' importante che la macchina sia tenuta sotto tensione, ma nella condizione di OFF per tutta la durata del conteggio del monitor.</p>	Tensione alimentazione non corretta	

### 13 COME ORDINARE I RICAMBI

Dovendo ordinare delle parti di ricambio, fare riferimento al n° della matricola, riportato sulla targa della macchina.



#### **AVVERTENZA**

***La sostituzione di parti usurate è consentita solo da personale istruito o dal costruttore.***

### 14 SMALTIMENTO DELL'IMBALLO

Gli imballi di legno, plastica, polistirolo devono essere smaltiti in conformità alle leggi vigenti nel Paese in cui viene utilizzato l'apparecchio

### 15 SMALTIMENTO DELLA MACCHINA

In caso di rottamazione, i componenti della macchina non devono essere dispersi nell'ambiente ma devono essere smaltiti attraverso società autorizzate alla raccolta e al recupero di rifiuti speciali, in conformità alle leggi vigenti nella Nazione in cui viene utilizzata la macchina.



#### **AVVERTENZA**

***Il fluido frigorifero non deve essere scaricato in atmosfera, deve essere recuperato e smaltito da Società autorizzate alla raccolta di rifiuti speciali***

## **INDEX**

- 1. Avertissements importants et de sécurité**
- 2. Tableau récapitulatif des plaquettes**
- 3. Description de la machine**
- 4. Fonctionnement de la machine**
- 5. Déplacement de la machine**
  
- 6. Installation de la machine**
  - 6.1 Signalisations
  - 6.2 Encombrement de la machine
  - 6.3 Mise en place de la machine
  - 6.4 Espaces libres à respecter
  - 6.5 Montage de la machine
  - 6.6 Fixation du panneau à distance
  - 6.7 Protections et précautions de sécurité
  - 6.8 Nettoyage
  
- 7 Branchement de la machine aux sources d'énergie**
  - 7.1 Branchement énergie électrique
  - 7.2 Branchement installation hydraulique
  
- 8. Commandes électriques**
  - 8.1 Panneau de commande et contrôle
  
- 9. Contrôles et réglages à effectuer**
  - 9.1 Mise en service de la machine
  
- 10. Schéma installation électrique de la machine**
  
- 11. Entretien et réparation de la machine**
  
- 12 Entretien ordinaire**
  - 12.1 Entretien extraordinaire
  - 12.2 Interventions devant être effectuées par des professionnels qualifiés ou par le constructeur
  - 12.3 Inconvénients techniques
  - 12.4 Alarmes signalisées par le contrôleur électronique
  
- 13 Commande des pièces détachées**
- 14 Mise au rebut de l'emballage**
- 15 Mise au rebut de la machine**

Nous vous remercions de la confiance que vous nous avez accordée en choisissant un produit Foster. Nous vous prions de lire attentivement cette notice préparée expressément avec des conseils et des instructions sur le mode d'installation correct, sur l'emploi et l'entretien du produit, afin d'utiliser au mieux toutes ses caractéristiques.

## 1 AVERTISSEMENTS IMPORTANTS ET DE SECURITE

Ci-après vous trouverez des recommandations concernant la sécurité, à suivre pendant l'installation et l'utilisation de la machine.

- L'installation de la machine doit être effectuée suivant les schémas et les instructions fournis par le constructeur.
- Les dommages provoqués par des raccordements incorrects sont exclus.
- Le conducteur neutre, même si relié à la terre, n'est pas admis comme conducteur de protection.
- L'installation électrique de l'endroit où l'installation est effectuée doit être conforme aux normes en vigueur pour les installations électriques.
- L'entretien de la machine doit être effectué par des professionnels qualifiés ou par le constructeur, suivant toutes les dispositions de la normative EN378.



### **AVERTISSEMENT**

***Pour éviter des coupures aux mains, utilisez des gants de protection***

Pour toute utilisation non prévue de la machine, en particulier en ce qui concerne la plage d'utilisation ou de toute façon pour toute intervention à effectuer sur la machine, il est fait obligation à l'utilisateur de se renseigner auprès du constructeur en ce qui concerne d'éventuelles contre-indications ou dangers provoqués par un usage impropre de la machine.

- La machine doit être utilisée conformément au mode d'emploi et pour l'usage prévu par le constructeur. Toute utilisation incorrecte de la machine représente une condition anormale et peut endommager la machine et représenter un grave danger pour la santé des personnes.



### **ATTENTION**

***La machine n'a pas été construite pour travailler dans un milieu explosif. Il est donc absolument interdit d'utiliser la machine dans un lieu avec danger d'explosion.***



### **ATTENTION**

***La machine n'a pas été construite pour travailler dans un milieu salin. Dans ce cas, il faut protéger le condenseur ou l'évaporateur avec des systèmes plus appropriés.***

En cas d'entretien nécessitant d'intervention sur le circuit frigorifique, il faut vider l'installation et rétablir la pression atmosphérique.



### **AVERTISSEMENT**

***Le fluide frigorigène ne doit pas être dégagé dans l'atmosphère, mais il doit être récupéré par des techniciens spécialisés disposant des équipements prévus à cet effet.***

- Le complément de charge de frigorigène doit être effectué suivant les indications qui figurent sur la plaquette technique concernant le type et la quantité.
- Il est interdit d'utiliser des fluides frigorigènes différents, encore moins des frigorigènes inflammables (hydrocarbures) ou de l'air.
- Il est interdit d'apporter des modifications ou des altérations au circuit frigorifique ou à ses composants, par exemple des soudures sur le corps compresseur.
- L'utilisateur final doit protéger l'installation contre les dangers d'incendie provenant de l'extérieur.

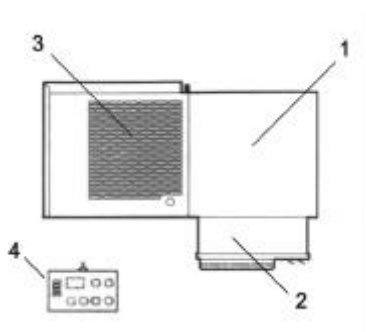
2 Tableau récapitulatif des plaquettes



	<p><i>Fluide frigorigène</i></p>
	<p><i>Ecoulement de condensation</i></p>
	<p><i>Attention: parties chaudes ou froides</i></p>
	<p><i>Attention : avant d'intervenir sur la machine, couper le courant</i></p>
	<p><i>Attention : danger de fulguration</i></p>
	<p><i>Brancher ce câble à un disjoncteur magnétothermique. Jamais directement à la ligne principale</i></p>
	<p><i>Sens de rotation</i></p>
	<p><i>Couleur fils câble secteur</i></p>
	<p><i>Attention – important : nettoyer de temps en temps le condenseur avec un jet d'air de l'intérieur vers l'extérieur. A effectuer lorsque la machine est arrêtée.</i></p>
	<p><i>Câble lumière chambre</i></p>
	<p><i>Câble micro porte</i></p>
	<p><i>Câble résistance porte</i></p>

### 3 Description de la machine

Les unités de la série Solo sont des groupes frigorifiques condensés par air ou par eau (option) construits selon le principe d'unité monobloc. Ils sont composés de:



1. une unité de condensation installée à l'extérieur de la chambre froide
2. une unité d'évaporation insérée dans un coffre calorifugé et installée à l'extérieur de la chambre froide.
3. un tableau électrique de contrôle et de commande, placé sur l'unité de condensation.
4. un panneau de commande à distance fixé à la paroi.

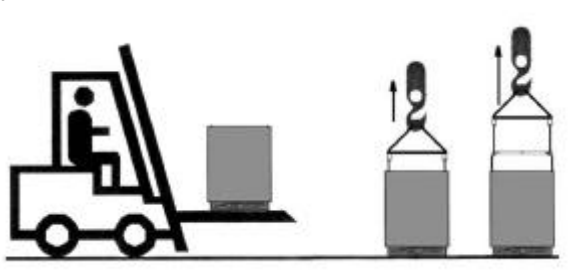
### 3 Fonctionnement de la machine

Les **uniblock Solo** sont des groupes frigorifiques à compression dans lesquels le froid est produit par vaporisation à basse pression d'un fluide frigorigène liquide, type HFC, dans un échangeur thermique (évaporateur); la vapeur qui se produit est ramenée à l'état liquide par compression mécanique à une pression plus élevée, suivie d'un refroidissement dans un autre échangeur thermique (condenseur).

Le compresseur frigorifique est de type hermétique, à mouvement alternatif, alimenté par le réseau électrique monophasé ou triphasé. Le dégivrage est automatique et programmé à l'avance, avec une fréquence cyclique, avec la possibilité d'intervention même manuelle.

### 4 Déplacement de la machine

Le déplacement de la machine peut être effectué avec des moyens de levage et transport.



#### AVERTISSEMENTS



*Faites beaucoup d'attention à ce que personne ne se trouve dans la zone de manoeuvre du moyen de levage et transport, de façon à empêcher toute possibilité d'accident aux personnes pendant le déplacement de la machine.*



*Lorsque la machine est emballée dans une caisse ou dans une caisse à claire-voie en bois, le déplacement devra être effectué en élinguant l'emballage de façon adéquate.*



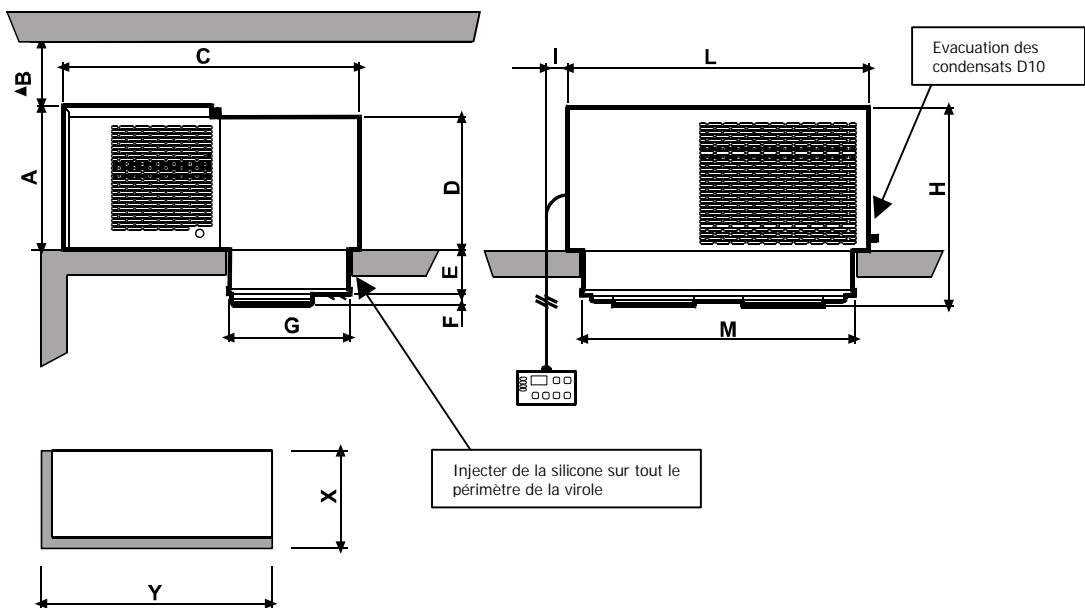
*Faites beaucoup d'attention à ce que la vitesse de levage de la machine emballée n'entraîne des oscillations pouvant provoquer la chute de l'unité.*

### 6 Installation de la machine

### 6.1 Signalisations

Le constructeur a prévu l'apposition d'écriteaux d'avertissement et attention avec les signalisations figurant dans le tableau récapitulatif

### 6.2 Encombrement de la machine



	A	B	C	D	E	F	G	H	I	L	M	X	Y
SP1/SP2	357	250	719	340	122	28	332	506	60	620	545	337	550
SP3/SP4	390	250	809	360	122	28	332	540	60	820	745	337	750
SP5	427	250	929	410	122	98	452	645	60	820	745	456	750

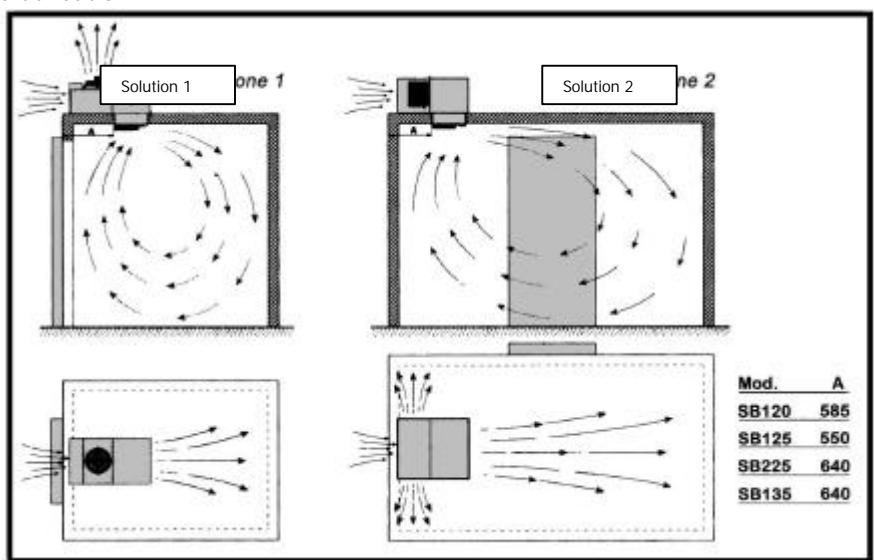
### 6.3 Mise en place de la machine

Pour obtenir un fonctionnement optimal de l'unité nous conseillons de :

- A)** Placer la machine dans une pièce ayant un bon rechange d'air et éloignée de sources de forte chaleur.
- B)** Ouvrir la chambre le moins possible.
- C)** S'assurer que l'unité ait la possibilité d'une bonne aspiration et d'une expulsion de l'air toute aussi bonne.

**D)** Brancher au dégagement de l'eau de condensation se trouvant sur la partie inférieure de l'unité, un tuyau pour l'évacuation de l'eau.

**N.B.:** Les unités Solo sont équipées d'un système d'évaporation de l'eau de condensation, le tuyau d'évacuation n'est qu'une précaution en cas d'anomalies de fonctionnement ou d'utilisation.





#### 6.4 Espaces libres à respecter

Dans le but de permettre un usage correct de la machine et un entretien aisé de celle-ci, dans des conditions de sécurité, l'installation doit être effectuée de façon à respecter les espaces libres minimums pour l'ouverture de la machine.

#### 6.5 Montage

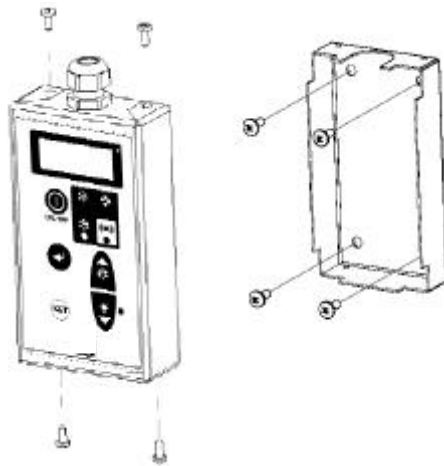
- A) Faire un trou ayant des dimensions appropriées sur la paroi de la chambre, voir figures précédentes. Placer l'unité sur la chambre en enfilant depuis l'extérieur la partie évaporante dans le trou de la chambre préparé à l'avance.

N.B. : SP1, SP2, SP3, SP4, SP5 ne nécessitent pas d'aucune fixation

#### 6.6 Fixation du panneau à distance:

Démonter le couvercle du panneau à distance en dévissant les vis latérales de fermeture. Fixer le fond du panneau à distance à la paroi choisie en utilisant les trous existants et en veillant à maintenir une position verticale.

Refermer le panneau en montant le couvercle (opération inverse). Ranger le câble de branchement entre le panneau et l'unité en prenant soin de ne pas le mettre près d'autres câbles existants dans l'installation.



#### ATTENTION

Vérifier que l'unité et les dispositifs qu'elle contient n'aient pas été endommagés pendant le transport, en particulier les composants fixés à la porte du tableau électrique et les tubes de l'installation frigorifique. Procéder ensuite à l'installation sur la chambre froide suivant les schémas, en faisant beaucoup d'attention au branchement électrique.



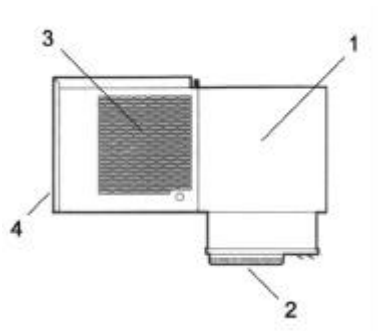
#### 6.7 Protections et précautions de sécurité

Le constructeur a prévu les protections mécaniques suivantes:

1. Protections fixes latérales et frontales de l'unité d'évaporation et de l'unité de condensation: elles sont fixées à la charpente par des vis de blocage.
2. Protections fixes externes électroventilateurs sur l'unité d'évaporation: elles sont fixées par des vis.

Le constructeur a prévu les protections électriques suivantes:

- a. Protection thermique ventilateurs (incorporés dans les moteurs) à rétablissement automatique: protection des électroventilateurs contre des absorptions élevées de courant
- b. Pressostat haute pression à rétablissement automatique (seulement pour les groupes où il est prévu): protection contre des pressions trop élevées



### **AVERTISSEMENTS**

*Les protections ont été prévues par le constructeur dans le but de sauvegarder l'intégrité de l'opérateur pendant le travail*

### **6.8 Nettoyage de la machine**

Nettoyer la machine avec soin, en enlevant la poussière et les substances étrangères et les salissures qui se sont éventuellement déposées pendant le déplacement de la machine, avec des détergents ou des dégraissants.



### **ATTENTION**

*Ne pas utiliser de solvants*

### **7 Branchement de la machine aux sources d'énergie externes**

#### **ATTENTION**



*Avant d'effectuer le branchement électrique, vérifier que le voltage et la fréquence du réseau d'alimentation correspondent à ceux qui sont indiqués sur la plaquette de l'unité et que la tension soit comprise entre une marge de +/-10% de la valeur nominale.*

#### **7.1 Branchement énergie électrique**

Après avoir effectué un contrôle préalable des composants du tableau, on procède au branchement électrique.

#### **ATTENTION**



*Le branchement à la ligne doit être effectué en utilisant un dispositif de protection approprié (magnétothermique ou magnétothermique différentiel), choisi par l'installateur selon le type de ligne et l'absorption indiquée sur la plaquette de la machine.*

Lorsque dans une même chambre il y a plusieurs unités, il faut que chaque machine ait son dispositif de protection. Effectuer la connexion suivant la couleur des fils qui sortent du câble d'alimentation:

- |    |                 |             |            |   |        |
|----|-----------------|-------------|------------|---|--------|
| a) | 230V/1/50-60 Hz | Trois fils  | Bleu       | = | Neutre |
|    |                 |             | Jaune/Vert | = | Terre  |
|    |                 |             | Marron     | = | Phase  |
| b) | 230V/3/50-60 Hz | Quatre fils | Bleu       | = | Phase  |
|    |                 |             | Jaune/Vert | = | Terre  |
|    |                 |             | Marron     | = | Phase  |
|    |                 |             | Noir       | = | Phase  |
| c) | 400V/3/50 Hz    | Cinq fils   | Bleu       | = | Neutre |
|    |                 |             | Jaune/Vert | = | Terre  |
|    |                 |             | Marron     | = | Phase  |

Noir = Phase  
Noir = Phase

Nous conseillons l'installation d'un micro-interrupteur (non fourni) sur la porte de la chambre froide, qui produit, à chaque ouverture, automatiquement:

- allumage lumière chambre, l'unité s'arrête.
- déconnexion alarme température (pendant environ une heure après la fermeture de la porte).

L'unité est équipée d'un câble nécessaire à cette connexion selon cette condition:

- contact micro-interrupteur fermé = porte fermée.

#### **ATTENTION**



Le micro-interrupteur n'est pas fourni avec l'unité. Si le câble micro-porte est coupé ou endommagé, on aura les mêmes conditions comme au cas où la porte est ouverte avec le micro-porte connecté.

Un câble pour la connexion de la résistance porte est fourni avec les unités de la GAMME "L" (Basse température). Cette connexion doit être effectuée en utilisant un fusible opportunément dimensionné selon la résistance de la porte.

L'unité est équipée aussi du câble pour la connexion de la lampe éclairage chambre froide (la lampe éclairage chambre froide doit avoir une tension de 230 Volt et une puissance maximum de 100 Watt).

#### **ATTENTION**



**Ne pas brancher les câbles micro porte, éclairage chambre ou résistance porte à la ligne 230 Volt. Les plaquettes qui se trouvent sur chaque câble indiquent le branchement à effectuer.**

#### **AVERTISSEMENT**



**Le remplacement de parties électriques défectueuses devra être effectué uniquement par des professionnels qualifiés.**

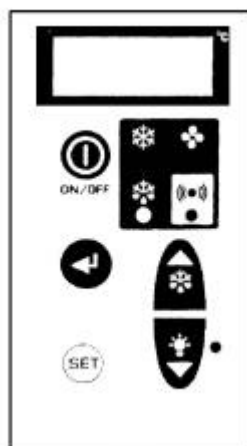
**Le branchement électrique doit être effectué par une personne compétente.**

### **7.2 Branchement installation hydraulique** (condenseur à eau)

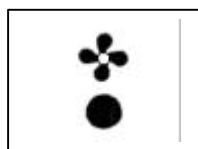
Ce branchement est nécessaire seulement si la condensation est par eau et doit être effectué en respectant les indications **ENTREE** et **SORTIE** eau situées près des tubes auxquels il faut se brancher. N'oubliez pas que le diamètre des tubes utilisés pour ce branchement ne doit jamais être inférieur à celui des tubes installés sur l'unité et que la pression minimale pour obtenir une bonne circulation de l'eau doit atteindre au moins **1 bar**.

## **8 Commandes électriques**

### **8.1 Panneau de commande et de contrôle**



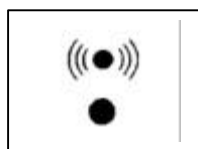
1. VOYANT de contrôle (VERT)  
Allumé : le compresseur est en marche, l'unité produit du froid.  
Clignotant : le compresseur est en phase d'allumage retardé.  
Eteint : Le compresseur est éteint. La température de la chambre a atteint les valeurs établies.



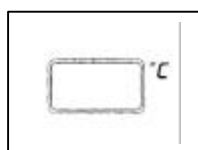
2. VOYANT de contrôle (VERT)  
Allumé : Le ventilateur de l'évaporateur est en fonction.  
Clignotant : Le ventilateur de l'évaporateur est en phase de départ retardé.  
Eteint : Le ventilateur de l'évaporateur est arrêté. Le dégivrage est en cours.



3. VOYANT de contrôle (JAUNE)  
Allumé : La phase de dégivrage automatique ou manuel est en exécution.



4. VOYANT alarme (ROUGE)  
Allumé : alarme en exécution à cause du mauvais fonctionnement d'une sonde ou intervention du pressostat ou température chambre ayant dépassé les limites acceptables.  
Eteint : Unité en fonctionnement normal.



5. AFFICHEUR : A l'allumage l'inscription " OFF " s'affiche, elle indique l'état d'arrêt de la machine. En appuyant pendant trois secondes sur la touche on/off la machine s'allume et la valeur de la température de la chambre s'affiche. En phase de programmation les valeurs des paramètres qui peuvent être programmés sont affichées tour à tour, alors qu'en phase d'alarme un code d'identification du type d'alarme est affiché.



6. Touche " SET " : Pressée pendant 2 secondes elle permet l'établissement du set de travail. La phase de l'établissement est signalée par l'allumage des voyants de la touche. En programmation elle permet de monter depuis un sous-menu au menu supérieur.



7. Touche " DOWN/LUMIERE CHAMBRE " : en phase de programmation et d'établissement du set, cette touche sert à diminuer la valeur programmée; autrement elle est utilisée pour allumer et éteindre la lumière de la chambre.



8. Touche " SB.M./UP " : Touche pour l'augmentation des valeurs qui peuvent être programmées. Elle permet aussi l'exécution du dégivrage de façon manuelle en appuyant sur cette touche pendant plus de 5 secondes.



9. Touche "ON/OFF" : Pour allumer ou éteindre la machine il faut la tenir pressée pendant 2 secondes.



10. Touche "Enter" Elle permet l'accès au menu de programmation et le passage au sous-menu. Nous conseillons de ne pas accéder à la programmation à moins qu'il ne s'agisse de cas de nécessité et il faut être assistés par l'installateur.

## 9 Contrôles et réglages à effectuer

Avant de mettre en marche la machine, il faut vérifier :

- que les vis de blocage soient serrées
- que les branchements électriques aient été effectués correctement

En cas d'ouverture de l'unité il faut vérifier :

- qu'aucun outil n'ait été oublié à l'intérieur de la machine
- que le montage ait été effectué correctement
- qu'il n'y ait pas de fuites de gaz
- que le panneau de front ait été fixé correctement.

### 9.1 Mise en service de la machine

Avant de mettre en marche le groupe frigorifique, il faut effectuer les opérations suivantes:

- Brancher la machine au courant. L'afficheur s'allume et présente l'indication OFF.
- Si la machine prévoit le préchauffage il faut maintenir la machine dans cet état pendant au moins trois heures.
- Si la machine prévoit le moniteur de tension il faut la maintenir en OFF pendant au moins 7 minutes afin que le moniteur effectue la phase de comptage.
- Régler le point de consigne de la température chambre froide.
- Activer la machine en appuyant sur la touche ON/OFF.



#### ATTENTION

**Gamme H :**

**temp. Min.  $-5^{\circ}$  temp. Max.  $+10^{\circ}\text{C}$**

**En général :**

**temp. conseillée  $+3^{\circ}\text{C}$**

**Refroidissement :**

**temp. conseillée  $+1^{\circ}\text{C}$**

**Viande fraîche:**

**temp. conseillée  $-1^{\circ}\text{C}$**

**Gamme L:**

**temp. Min.  $-25^{\circ}\text{C}$  temp. Max.  $-15^{\circ}\text{C}$  temp. conseillée  $-21^{\circ}\text{C}$**

Réglage température de la chambre:

- Brancher le courant à la machine. L'indication OFF apparaîtra sur l'afficheur.
- Pour établir le set de travail souhaité, appuyer pendant trois secondes sur la touche SET. Le voyant vert s'allumera et la valeur établie sera affichée sur l'afficheur.

Si l'on souhaite modifier cette valeur, appuyer sur la touche



UP pour augmenter



DOWN pour diminuer

Appuyer sur la touche SET pour confirmer la valeur programmée.

Maintenant l'unité est en fonction et ne nécessite d'aucune autre programmation. Tout le cycle de fonctionnement est complètement automatique et réglé par des paramètres spéciaux qui sont préétablis et programmés par le constructeur. S'adresser à des personnes autorisées pour toute modification de ces paramètres.



#### **ATTENTION**

**24 heures après la mise en service, vérifier les conditions de l'évaporateur. S'il présente des formations de glace, il faut réduire l'intervalle entre les dégivrages. Pour les unités basse température, il faut effectuer ce contrôle chaque semaine pendant le premier mois de fonctionnement.**

#### **10. Schéma installation électrique de la machine**

Les machines de la série Solo sont caractérisées par une installation électrique spécifique, dont le schéma est joint à la présente notice de mode d'emploi et d'entretien.

#### **11. Entretien et réparation de la machine**

Un bon entretien représente un facteur fondamental pour une plus longue durée de la machine dans des conditions de fonctionnement et de rendement optimales et pour assurer les conditions de sécurité prévues par le Constructeur.

#### **12. Entretien ordinaire**

Afin de pouvoir toujours compter sur le bon fonctionnement de l'unité il faut effectuer périodiquement le nettoyage du condenseur (la périodicité de ce nettoyage dépend principalement de l'endroit où est installée l'unité).

Cette opération est à effectuer quand l'unité est arrêtée : nous conseillons d'utiliser un jet d'air en soufflant de l'intérieur vers l'extérieur. Dans le cas où il n'était pas possible d'utiliser un jet d'air, utiliser un pinceau à longs poils sur l'extérieur du condenseur. Dans le cas de condensation à eau nous conseillons de faire effectuer l'opération de nettoyage par un plombier en utilisant les additifs désincrustants qui se trouvent dans le commerce.



#### **AVERTISSEMENT**

**Pour éviter des coupures aux mains, utiliser des gants de protection**



#### **AVERTISSEMENT**

**Avant d'intervenir sur la machine, couper le courant.**

#### **12.1 Entretien extraordinaire**

Contrôlez de temps en temps l'état d'usure des contacts électriques et des télerupteurs et éventuellement remplacez-les.

#### **12.2 Interventions devant être effectuées par des professionnels qualifiés ou par le constructeur**

Nous énumérons ci-après les opérations d'entretien qui exigent une compétence technique spécifique et qui, par conséquent, doivent être effectuées par des professionnels qualifiés ou par le Constructeur.

Pour aucune raison l'utilisateur ne devra effectuer:

- remplacement de composants électriques
- interventions sur l'installation électrique
- réparations de parties mécaniques
- interventions sur l'installation frigorifique
- interventions sur le panneau de commande, sur les interrupteurs de marche, arrêt et arrêt d'urgence
- interventions sur les dispositifs de protection et de sécurité.

### 12.3 Inconvénients techniques

Les inconvénients qui peuvent se produire pendant le fonctionnement de la machine sont les suivants:

1. Blocage du compresseur. Il existe un dispositif de protection qui intervient chaque fois que la température maximum admise pour les bobinages du moteur électrique du compresseur est dépassée. Ceci peut avoir lieu si :  
le local qui accueille l'unité n'est pas suffisamment aéré.  
Il y a des anomalies dans le réseau électrique d'alimentation.  
Le fonctionnement du ventilateur du condenseur est anormal.  
Le rétablissement du dispositif de protection est automatique.
2. Formation de glace sur l'évaporateur (ce qui empêche le flux régulier de l'air). Elle peut être causée par :  
Des ouvertures trop fréquentes de la porte  
Un fonctionnement anormal du ventilateur de l'évaporateur  
Une panne de l'électrovanne (modèles avec dégivrage à gaz chaud)  
Une panne de la résistance de dégivrage (pour les modèles avec dégivrage électrique)  
Un mauvais fonctionnement du dégivrage  
Dans ce cas on peut utiliser certaines astuces: augmenter de quelques degrés la température du thermostat de fin de dégivrage, augmenter le nombre de dégivrages.

#### ATTENTION



***Pour décongeler d'éventuels blocs de glace dans l'évaporateur, il est tout à fait déconseillé d'utiliser des outils métalliques, tranchants, pointus ou de l'eau chaude***

3. En cas de non allumage de l'afficheur de la platine électronique, vérifier: la présence de courant, le branchement correct du câble d'alimentation, les fusibles à l'intérieur du tableau électrique
4. Si l'afficheur s'allume et qu'en appuyant sur la touche ON/OFF la machine ne démarre pas, vérifier le branchement correct du micro porte en vous rappelant qu'à contact fermé doit correspondre porte fermée.

#### Rendement insuffisant de la machine:

Si le rendement de la machine est insuffisant, après avoir cherché les causes techniques et ne pas avoir trouvé d'anomalies dans l'installation, il faut vérifier l'étanchéité des portes de la chambre froide; qu'il n'y ait pas de déperditions de froid dans la chambre; que la chambre soit utilisée avec les précautions nécessaires et que dans la chambre utilisée en basse température on n'introduise pas de denrées ou de liquides non congelés, ou qu'il y ait de la glace dans l'évaporateur.

Nous conseillons en outre d'installer les machines loin des portes, surtout lorsqu'on prévoit plusieurs ouvertures par jour.



#### AVERTISSEMENT:

***Il est interdit, lorsque la machine est en marche, d'ôter les protections prévues par le constructeur dans le but de sauvegarder l'intégrité de l'utilisateur.***

### 12.4 Alarmes signalisées par le contrôleur

En cas d'alarme de l'unité, le voyant de contrôle s'allume. En plus, il peut y avoir un signal sonore (installé éventuellement par le client); sur l'afficheur sont affichés des codes, permettant d'identifier immédiatement le type d'alarme.

ALARME	AFFICHEUR	CAUSE	DEPANNAGE
Haute température	(HI) alterné à la température de la chambre	Ouvertures excessives de la porte Le produit présent dans la	

		chambre est trop chaud Mauvais fonctionnement de l'installation frigorifique	
Basse température	(LO) alterné à la température de la chambre	Mauvais fonctionnement du contrôleur électronique	Intervention assistance technique
Sonde ambiance	(E0) fixe	Rupture de la sonde	Remplacement sonde
Sonde évaporateur	(E1) alterné à la température de la chambre	Rupture de la sonde	Remplacement sonde
Haute pression	<p>Quand l'alarme haute pression se déclenche, sur l'afficheur le message (HH) est alterné à la température de la chambre; le voyant (4) s'allume à chaque intervention du pressostat haute pression. Si le nombre d'interventions du pressostat haute pression est supérieur à 10 par heure, sur l'afficheur (5) est affiché le message (PP) alterné à la température de la chambre; le voyant (4) et le relais d'alarme sont activés.</p> <p>Dans ces conditions, toutes les fonctions sont bloquées.</p>	Vérifier le fonctionnement du ventilateur condenseur. Vérifier si le condenseur est sale	Couper l'alimentation électrique du groupe frigorifique, attendre quelques secondes et rétablir le courant.
Moniteur de tension	<p>(AM) alterné à la température de la chambre.</p> <p>Le moniteur est un dispositif électronique qui permet de contrôler la tension d'alimentation de la machine. Notamment si la tension d'alimentation est soumise à des variations dépassant +/- 12%, le dispositif s'enclenche. La machine reste arrêtée pendant environ 6 minutes et ensuite, si les conditions le permettent, elle se remet en marche automatiquement.</p> <p>Avertissement: Lors du premier allumage, le moniteur effectue un comptage d'environ 7 minutes. Il est important que la machine soit gardée sous tension, mais en conditions de OFF pendant toute la durée du comptage du moniteur.</p>	Tension d'alimentation non correcte	



### **13 COMMANDE PIÈCES DÉTACHÉES**

Pour commander des pièces détachées, se référer toujours au numéro de série, indiqué sur la plaque de la machine.



#### **AVERTISSEMENT**

***Le remplacement de parties usées peut être effectué uniquement par des professionnels qualifiés ou par le constructeur.***

### **14 MISE AU REBUT DE L'EMBALLAGE**

Les emballages en bois, en plastique, en polystyrène doivent être mis au rebut suivant les lois en vigueur dans le Pays où la machine est utilisée.

### **15 MISE AU REBUT DE LA MACHINE**

En cas de mise à la ferraille, les composants de la machine ne doivent pas être abandonnés dans la nature, mais doivent être remis à des sociétés spécialisées dans le ramassage et la récupération de déchets spéciaux, en conformité avec les lois en vigueur dans le Pays où la machine est utilisée.



#### **AVERTISSEMENT**

***Le fluide frigorigène ne doit pas être dégagé dans l'atmosphère, mais doit être récupéré et mis au rebut par des sociétés autorisées au ramassage de déchets spéciaux.***

## **INHALT**

- 1. Wichtige Sicherheitshinweise**
- 2. Tabelle der Plaketten**
- 3. Beschreibung der Maschine**
- 4. Betrieb der Maschine**
- 5. Bewegung der Maschine**
  
- 6. Installation der Maschine**
  - 6.1 Hinweise
  - 6.2 Platzbedarf der Maschine
  - 6.3 Aufstellen der Maschine
  - 6.4 Freiräume
  - 6.5 Montage der Maschine
  - 6.6 Befestigung der Fernschalttafel
  - 6.7 Schutz- und Sicherheitsvorkehrungen
  - 6.8 Reinigung
  
- 7. Anschluss der Maschine an die Energieversorgung**
  - 7.1 Anschluss an das Stromnetz
  - 7.2 Anschluss an die hydraulische Anlage
  
- 8. Elektrische Steuerungen**
  - 8.1 Steuer- und Kontrollschalttafel
  
- 9. Durchzuführende Kontrollen, Einstellungen und Registrierungen**
  - 9.1 Inbetriebnahme der Maschine
  
- 10. Elektrischer Schaltplan der Maschine**
  
- 11. Wartung und Reparatur der Maschine**
  
- 12. Ordentliche Wartung**
  - 12.1 Außerordentliche Wartung
  - 12.2 Eingriffe, die von Fachpersonal oder vom Hersteller durchgeführt werden müssen
  - 12.3 Technische Probleme
  - 12.4 Von der elektronischen Kontrolle angezeigte Alarmer
  
- 13. Bestellung von Ersatzteilen**
- 14. Entsorgung der Verpackung**
- 15. Entsorgung der Maschine**

Wir danken Ihnen für Ihr Vertrauen und für Ihre Entscheidung für ein Produkt von Foster. Bitte lesen Sie dieses extra abgefasste Heft mit Ratschlägen und Hinweisen für eine korrekte Installation, Gebrauch und Wartung des Produkts; so können Sie alle Eigenschaften der Maschine am besten ausnutzen.

## 1. WICHTIGE SICHERHEITSHINWEISE

In Folge einige Sicherheitsempfehlungen bei der Installation und dem Betrieb der Maschine.

- Die Maschine muss vollständig nach den Plänen und Empfehlungen des Herstellers installiert werden.
- Schäden, die sich nach nicht korrekten Anschlüssen ergeben, sind ausgeschlossen.
- Der Nullleiter darf, auch wenn geerdet, nicht als Schutzleiter verwendet werden.
- Die elektrische Anlage der Umgebung, in dem die Installation vorgenommen wird, muss den geltenden Richtlinien für elektrische Anlagen entsprechen.
- Die Wartung der Maschine muss von entsprechend ausgebildetem Fachpersonal oder vom Hersteller gemäß der EN378 Norm durchgeführt werden.



### **HINWEIS**

***Um Schnittverletzungen an den Händen zu verhindern, Schutzhandschuhe verwenden.***

Bei jedem nicht vorgesehenen Einsatz der Maschine, besonders bei Anwendungen oder bei allen Eingriffen, die an der Maschine vorgenommen werden sollen, muss sich der Benutzer beim Hersteller nach eventuellen Gegenanzeigen oder Gefahren erkundigen, die sich bei unangebrachter Nutzung der Maschine ergeben.

- Die Maschine muss entsprechend den Einsatzanleitungen und für den vom Hersteller vorgesehenen Gebrauch verwendet werden. Jeder nicht korrekte Einsatz der Maschine stellt eine anormale Situation dar und kann zur Beschädigung der Maschine führen sowie eine ernsthafte Gefahr für die menschliche Gesundheit darstellen.



### **ACHTUNG**

***Die Maschine wurde nicht für den Einsatz in explosionsgefährdeten Räumlichkeiten konstruiert. Daher ist der Gebrauch der Maschine in Umgebungen mit Explosionsgefahr absolut verboten.***



### **ACHTUNG**

***Die Maschine wurde nicht für den Einsatz in salzhaltiger Umgebung konstruiert. In diesem Fall muss der Kondensator oder der Verdampfer mit den entsprechend geeigneten Systemen geschützt werden.***

Bei Wartungseingriffen, bei denen Arbeiten am Kühlkreislauf notwendig sind, muss die Anlage entleert werden und auf Atmosphärendruck gebracht werden.



### **HINWEIS**

***Die Kühlflüssigkeit darf nicht in die Atmosphäre abgegeben werden, sondern muss mit einer entsprechenden Ausrüstung von spezialisiertem Fachpersonal aufgefangen werden.***

- Die Neubefüllung des Kühlmittels muss entsprechend den technischen Anweisungen zu Typ und Menge auf der Plakette vorgenommen werden.
- Der Einsatz von Mitteln, die kein Kühlmittel sind, oder von entflammaren Kühlmitteln (Kohlenwasserstoff) oder Luft ist verboten.
- Veränderungen des Kreislaufs oder der Komponenten, wie die Schweißung auf dem Kompressorkörper, sind nicht erlaubt.
- Der Endnutzer muss die Anlage vor von außen verursachter Brandgefahr schützen.

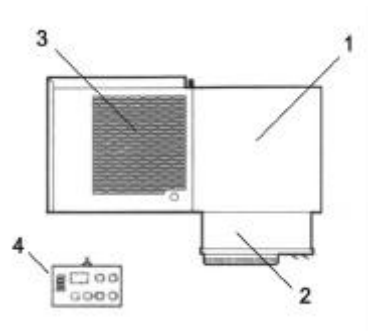
2 Tabelle der Plaketten



	<p><b>Kühlflüssigkeit</b></p>
	<p><b>Abfluss Kondenswasser</b></p>
	<p><b>Achtung: heiße oder kalte Teile</b></p>
	<p><b>Achtung: Vor der Arbeit an der Maschine, Strom ausschalten</b></p>
	<p><b>Achtung: Stromschlaggefahr</b></p>
	<p><b>Dieses Kabel mit einem Thermomagnetschalter verbinden. Nie an die Hauptlinie anschließen.</b></p>
	<p><b>Drehrichtung</b></p>
	<p><b>Farben der Versorgungskabel</b></p>
	<p><b>Achtung – wichtig: Den Kondensator regelmäßig mit Luftstrahl von innen nach außen reinigen. Eingriff bei nicht laufender Maschine durchführen.</b></p>
	<p><b>Kabel Licht Zelle</b></p>
	<p><b>Kabel Mikrotür</b></p>
	<p><b>Kabel Widerstand Tür</b></p>

### 3. Beschreibung der Maschine

Die Kühlanlagen der Solo-Serie sind mit luft- oder wassergekühlten Kondensatoren (wahlweise) ausgestattet. Sie werden in Monoblock-Ausführung hergestellt und bestehen aus:



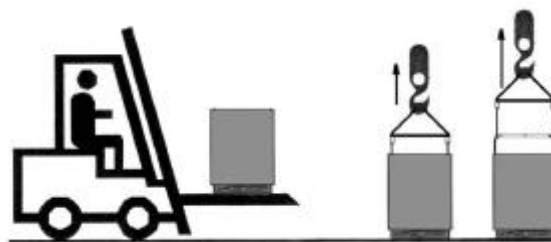
1. einer außerhalb der Zelle installierten Kondensierungseinheit
2. einem in einem isolierten Gehäuse eingeführten Verdampferteil, das außen auf der Zelle installiert ist
3. einem elektrische Kontroll- und Steuerschaltschrank auf der Kondensierungseinheit.
4. Fernbedienung an der Wand befestigt

### 4. Betrieb der Maschine

Die **Uniblock Solo** sind Kompressionskühlgruppen, in denen die Kälte durch Verdampfung einer kälteerzeugenden Flüssigkeit vom Typ HFC bei niedrigem Druck in einem Wärmeaustauscher (Verdampfer) erzeugt wird; der so erzeugte Dampf wird durch mechanische Kompression bei einem höheren Druck erneut verflüssigt, gefolgt von einer Kühlung in einem anderen Wärmeaustauscher (Kondensator). Der Kühlkompressor ist hermetischer Art, mit abwechselnder Bewegung und wird von einem Ein- oder Dreiphasen-Stromnetz versorgt. Die Enteisung wird je nach Notwendigkeit nach automatischer Vorprogrammierung in regelmäßigen Abständen durchgeführt, dabei besteht die der Möglichkeit, von manuellen Eingriffen.

### 5. Bewegung der Maschine

Die Maschine kann mit Hub- oder Transportmitteln bewegt werden.



#### HINWEISE



**Sehr gut aufpassen, dass sich niemand im Manövrierebereich des Hub- oder Transportmittels aufhält, um während der Bewegung der Ladung jegliche Unfallgefahr zu vermeiden.**



**Wenn die Maschine in einer Kiste bzw. Holzkäfig verpackt verschickt wird, muss die Verpackung für den Transport entsprechend verzurrt werden.**



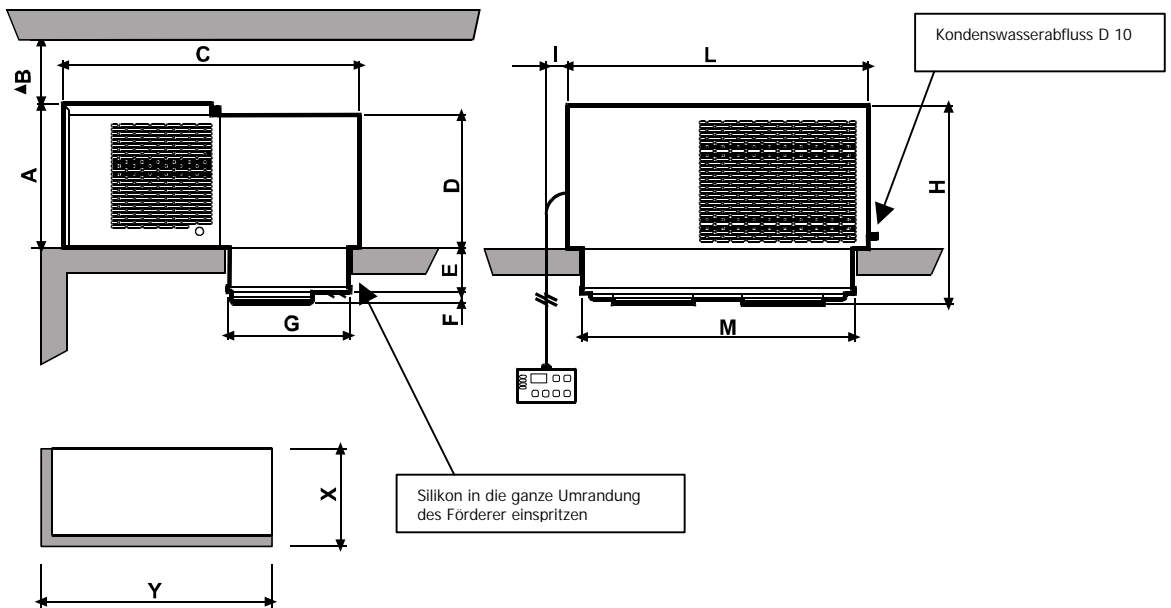
**Aufpassen, dass keine Schwankungen durch eine zu hohe Hubgeschwindigkeit der verpackten Maschine verursacht werden, da die Maschine sonst herunter fallen könnte.**

## 6. Installation der Maschine

### 6.1 Hinweise

Der Hersteller hat entsprechende Warn- und Achtungsschilder mit den Hinweisen in der Tabelle vorgesehen

### 6.2 Platzbedarf der Maschine



	A	B	C	D	E	F	G	H	I	L	M	X	Y
SP1/SP2	357	250	719	340	122	28	332	506	60	620	545	337	550
SP3/SP4	390	250	809	360	122	28	332	540	60	820	745	337	750
SP5	427	250	929	410	122	98	452	645	60	820	745	456	750

### 6.3 Aufstellen der Maschine

Um einen optimalen Betrieb zu gewährleisten, müssen folgende Ratschläge beachtet werden:

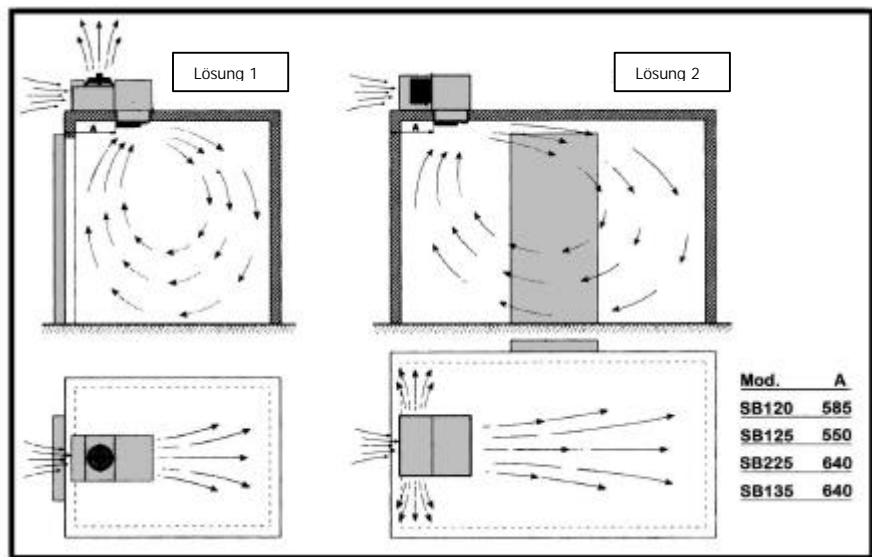
**A)** Das Gerät an einem gut belüfteten Ort und von Wärmequellen entfernt aufstellen.

**B)** Die Zelle möglichst wenig öffnen.

**C)** Versichern Sie sich, dass das Gerät genügend Luft aufnehmen kann und auch über einen guten Ausstoß der bewegten Luft verfügt.

**D)** Bringen Sie am Kondenswasserablass, der sich am unteren Teil des Gerätes befindet, ein Rohr an, damit das Kondenswasser abfließen kann.

**Anm.:** Die Solo Einheiten sind mit einem Verdampfungssystem des Kondenswassers ausgestattet, der Abfluss ist nur eine Vorsichtsmaßnahme im Fall von Betriebs- und Anwendungsunregelmäßigkeiten.



## 6.4 Freiräume

Für einen korrekten Einsatz der Maschine sowie für eine unkomplizierte Wartung unter Sicherheitsbedingungen ist vorgesehen, dass die Installation in einer Position ausgeführt wird, bei der die Mindestfreiräume für die Öffnung der Maschine eingehalten werden.

## 6.5 Montage

A) An der Zellenwand eine Bohrung mit den passenden Abmessungen ausführen, siehe Abbildungen vorher. Die Einheit an der Zelle anbringen, indem von außen das Verdampferteil in die bereits vorher ausgeführte Bohrung in der Zelle eingesetzt wird.

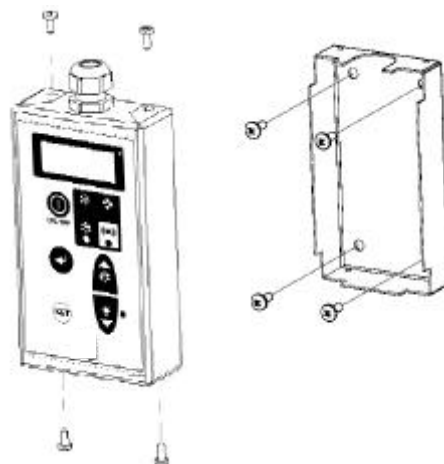
N.B: Die Modelle SP1, SP2, SP3, SP4, SP5 benötigen keine Fixierstellen

## 6.6 Befestigung der Fernschalttafel:

Den Deckel der Fernschalttafel entfernen, indem Sie die seitlichen Befestigungsschrauben aufdrehen.

Den Boden der Fernschalttafel an der ausgewählten Wand befestigen, indem die bereits vorhandenen Bohrlöcher benutzt werden. Die Fernschalttafel muss vertikal angebracht werden.

Die Fernschalttafel wieder schließen, indem Sie den Deckel wieder anbringen (umgekehrter Arbeitsgang). Das Anschlusskabel zwischen Fernschalttafel und Einheit anbringen und darauf achten, dass es nicht neben anderen Kabeln der Anlage liegt.



### **ACHTUNG**

**Sicherstellen, dass die Einheit und die darin enthaltenen Geräte während des Transports nicht beschädigt wurden – dies gilt besonders für die Komponenten auf der Tür des**

**elektrischen Schaltschranks und für die Leitungen der Kühlanlage. Danach die Installation an der Zelle entsprechend den Plänen durchführen; dabei muss ganz besonders auf den elektrischen Anschluss geachtet werden.**

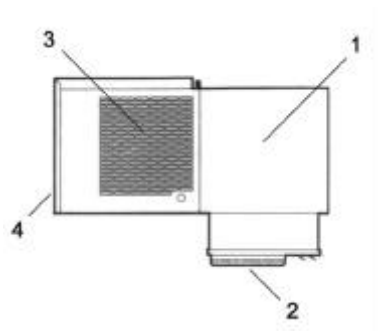
## 6.7 Schutz- und Sicherheitsvorkehrungen

Der Hersteller hat folgende mechanische Schutzvorrichtungen vorgesehen

1. Feste seitliche und frontale Schutzvorrichtungen an der Verdampfeinheit und der Kondensierungseinheit: sie sind mit Hilfe von Klemmschrauben an der Struktur befestigt.
2. Externe feste Schutzvorrichtungen Elektroventilatoren auf der Verdampfeinheit: mit Schrauben befestigt.

Der Hersteller hat folgende elektrische Schutzvorrichtungen vorgesehen:

- a. Automatisch funktionierende Wärmeschutzvorrichtungen Gebläse (in den Motoren): Schutz der Elektroventilatoren vor zu hoher Stromabsorption.
- b. Automatisch funktionierende Hochdruckwächter (nur für Gruppen, in denen diese vorgesehen sind): Schutz gegen zu hohen Druck.



### **HINWEISE**

**Die Schutzvorrichtungen wurden vom Hersteller zum Schutz des Bedieners während der Durchführung seiner Arbeit angebracht**

## 6.8 Reinigung der Maschine

Die Maschine sorgfältig reinigen, Staub und Fremdkörper sowie Verschmutzungen, die sich eventuell während der Bewegung abgelagert haben, entfernen; dazu Reinigungsmittel oder Entfetter benutzen.



### **ACHTUNG**

**Keine Lösungsmittel verwenden**

## 7. Anschluss der Maschine an die Energieversorgung



### **ACHTUNG**

**Vor dem elektrischen Anschluss muss kontrolliert werden, dass die Spannung und die Frequenz des Stromnetzes den Angaben auf der Einheit entsprechen sowie dass die Spannung sich in einer Toleranz von +/- 10% gegenüber dem Nennwert befindet.**

### 7.1 Anschluss an das Stromnetz

Nach einer Vorkontrolle an den Komponenten des Schaltschranks wird der Stromanschluss durchgeführt

### **ACHTUNG**



**Der Anschluss an die Linie muss mit einer entsprechenden Schutzvorrichtung (Thermomagnetschalter oder Differentialthermomagnetschalter) ausgeführt werden; diese wählt der Installateur entsprechend dem Linientyp und den auf der Plakette der Maschine angegebenen Absorptionswerten aus.**



Bei mehreren Einheiten in der Zelle sollte an jeder Maschine eine Schutzvorrichtung angebracht werden.

Danach wird die Einheit angeschlossen. Auf die Farben der Kabel, die aus dem Stromkabel herausführen, achten:

A)	230V/1/50-60 Hz	drei Leiter	Blau =	Nulleiter
			Gelb/Grün =	Erdleiter
			Braun =	Phase
B)	230V/3/50-60 Hz	vier Leiter	Blau =	Phase
			Gelb/Grün =	Erdleiter
			Braun =	Phase
			Schwarz =	Phase
C)	400V/3N/50-60 Hz	fünf Leiter	Blau =	Nulleiter
			Gelb/Grün =	Erdleiter
			Braun =	Phase
			Schwarz =	Phase
			Schwarz =	Phase

Man empfiehlt, an der Zellentür einen Mikroschalter (nicht mitgeliefert) anzubringen, der bei jeder Türöffnung automatisch folgendes bewirkt:

- Anschalten des Zellenlichts, Ausschalten des Geräts;
- Temperaturalarm aus (bis etwa eine Stunde nach dem Schließen der Tür).

Das Aggregat verfügt bereits über ein Kabel für diesen Anschluss, wobei die folgende Bedingung einzuhalten ist: Mikroschalterkontakt geschlossen = Tür geschlossen.



#### **ACHTUNG**

Der Mikroschalter ist nicht in der Lieferung der Maschine inbegriffen. Wenn das Mikrotürkabel unterbrochen oder beschädigt wird, ereignen sich die gleichen Bedingungen wie bei offener Tür mit verbundener Mikrotür.

Zusammen mit den Aggregaten der SERIE "L" (Tieftemperatur) wird ein Kabel für den Türwiderstandsanschluss mitgeliefert. Der Anschluss soll durch eine passende Sicherung, vom Türwiderstand abhängig, erfolgen. Die Einheit verfügt auch über das Anschlusskabel der Lampe für die Beleuchtung der Zelle (die Lampe muss eine Spannung von 230 Volt und eine Höchstleistung von 100 Watt besitzen)

#### **ACHTUNG**



**Die Kabel des Zellelichtschalters, des Türwiderstands oder der Zellenbeleuchtung nicht ans 230 V Stromnetz anschließen. Die an jedem Kabel befestigten Schilder geben Hinweise zum korrekten Anschluss.**

#### **HINWEIS**



**Der eventuelle Austausch von beschädigten elektrischen Komponenten darf ausschließlich von entsprechend ausgebildetem Fachpersonal ausgeführt werden.**

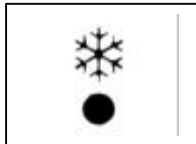
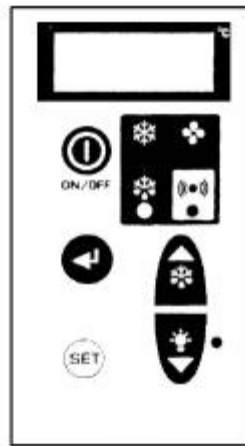
**Der Anschluss an das Stromnetz muss von kompetentem Personal ausgeführt werden.**

## **7.2 Anschluss an die hydraulische Anlage** (Wasserkondensator)

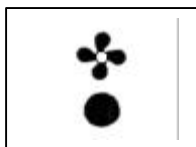
Dieser Anschluss ist nur bei wassergekühltem Kondensator notwendig. Wenn er ausgeführt wird, müssen die Schilder **Wassereinlauf** und **Wasserauslauf** beachtet werden, die sich in der Nähe der Rohre befinden, an denen der Anschluss erfolgt. Die Durchmesser der Anschlussrohre dürfen nicht geringer als diejenigen des Gerätes sein. Der Mindestdruck für eine gute Wasserzirkulation muss mindestens **1 bar** betragen.

## 8 Elektrische Steuerungen

### 8.1 Steuer- und Kontrollschalttafel



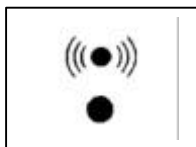
1. Kontroll-LED (GRÜN)  
Angeschaltet : Der Kompressor ist in Betrieb, die Anlage kühlt.  
Blinken: Der Kompressor befindet sich in der Einschaltverzögerungsphase.  
Ausgeschaltet: Der Kompressor steht. Die Zellentemperatur hat die vorgegebenen Werte erreicht.



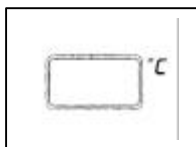
2. Kontroll-LED (GRÜN)  
Eingeschaltet: Der Verdampferlüfter ist in Betrieb.  
Blinken: Der Verdampferlüfter befindet sich in einer Anlaufverzögerungsphase.  
Ausgeschaltet: Der Verdampferlüfter steht. Abtauphase.



3. Kontroll-LED (GELB)  
Angeschaltet : Automatische oder manuelle Abtauung.



4. Alarm-LED (ROT)  
Angeschaltet: Alarm aktiv. Verursacht durch den gestörten Betrieb eines Fühlers oder den Eingriff des Druckwächters oder der Zellentemperatur über der Toleranzgrenze.  
Ausgeschaltet: Gerät befindet sich im Normalbetrieb.



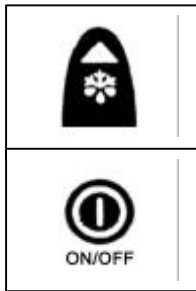
5. DISPLAY :  
Beim Einschalten wird die Bezeichnung "OFF" angezeigt, d.h. das Gerät ist ausgeschaltet. Wenn die "on/off"-Taste drei Sekunden lang gedrückt bleibt, wird das Gerät eingeschaltet und die Zellentemperatur wird angezeigt. In der Programmierphase werden jeweils die Parameterwerte, die eingegeben werden können, angezeigt, während in der Alarmphase ein Code angezeigt wird, der den Alarmtyp angibt.



6. "SET"-Taste :  
Wenn die Taste 2 Sekunden lang gedrückt wird, kann der Betriebsollwert eingegeben werden.  
Die Eingabephase wird durch das Einschalten der Tasten-LED angezeigt. In der Programmierphase ist es möglich von einem Untermenü in das höhere Menü zu gelangen.



7. "DOWN/Zellenbeleuchtung"-Taste:  
In der Programmier- oder Eingabephase des Sollwertes dient diese Taste dazu, den eingegebenen Wert zu senken. Sonst wird sie zum Ein- und Ausschalten der Zellenbeleuchtung benutzt.



8. "Manuelle Abtaugung/UP"-Taste :  
Taste zur Erhöhung der Werte, die eingegeben werden können. Wenn die Taste länger als 5 Sekunden gedrückt bleibt, wird die manuelle Abtaugung durchgeführt.



9. "ON/OFF"-Taste :  
Um das Gerät ein- oder auszuschalten, muss die Taste 2 Sekunden lang gedrückt bleiben.



10. "Enter"-Taste :  
Über diese Taste gelangt man in das Programmiermenü und in die Untermenüs. Es wird dazu geraten, keine Programmierung vorzunehmen, nur, wenn notwendig und, wenn ein Fachmann dabei behilflich ist.

## 9 Durchzuführende Kontrollen, Einstellungen und Registrierungen

Vor dem Einschalten des Gerätes, prüfen Sie, ob:

- die Sperrschrauben fest verschraubt sind.
- die elektrischen Anschlüsse richtig ausgeführt sind.

Wenn Sie das Gerät öffnen, prüfen Sie, ob:

- im Innern des Gerätes kein Werkzeug vergessen wurde.
- die Montage richtig ausgeführt wurde.
- kein Gas austritt.
- die vordere Verschlussplatte richtig befestigt ist.

### 9.1 Inbetriebnahme der Maschine

Vor der Inbetriebnahme der Kühlgruppe müssen folgende Arbeitsschritte durchgeführt werden:

- Dem Gerät Spannung zuführen. Das Display wird angeschaltet und es erscheint die Schrift OFF.
- Bei Vorheizung muss die Maschine mindestens drei Stunden in diesem Zustand beibehalten werden
- Wenn das Gerät über einen Spannungsmonitor verfügt, muss es mindestens 7 Minuten lang im OFF-Zustand sein, damit der Monitor die Berechnungsphase durchführt.
- Den Set-point der Zellentemperatur einstellen.
- Die Maschine durch Betätigung der ON/OFF-Taste in Betrieb nehmen.



#### **ACHTUNG**

**H Baureihe:**

**Min.Wert  $-5^{\circ}\text{C}$  Max Wert.  $+10^{\circ}\text{C}$**

**Allgemein:**

**Empfohl Wert  $+3^{\circ}\text{C}$**

**Kühlung:**

**Empfohl Wert  $+1^{\circ}\text{C}$**

**Frischfleisch:**

**Empfohl Wert  $+1^{\circ}\text{C}$**

**L Baureihe:**

**Min.Wert  $-25^{\circ}\text{C}$  Max Wert.  $-15^{\circ}\text{C}$**

Programmierung der Zellentemperatur:

- Dem Gerät Spannung zuführen. Auf dem Display erscheint die Bezeichnung OFF.
- Um den gewünschten Sollwert einzugeben, drücken Sie 3 (drei) Sekunden lang die Set-Taste. Die LED (grün) leuchtet und auf dem Display wird der eingegebene Wert angezeigt. Wenn Sie diesen Wert ändern möchten, drücken Sie die folgenden Tasten:



UP um zu erhöhen



DOWN um zu verringern

Die SET-Taste betätigen und den eingestellten Wert bestätigen.

Das Aggregat ist nun betriebsbereit und bedarf keiner weiteren Programmierung. Der gesamte Betriebskreislauf funktioniert komplett automatisch und ist durch spezielle Parameter geregelt, die vom Hersteller voreingestellt werden. Für eventuelle Veränderungen der Parameter wenden Sie sich an das entsprechend ermächtigte Personal.



#### **ACHTUNG**

**Nach 24 Stunden ab der Inbetriebnahme den Zustand des Verdampfers kontrollieren. Wenn sich Eis gebildet hat, muss der Abstand zwischen den Enteisungsphasen verringert werden. Für die Niedrigtemperatureinheiten muss diese Kontrolle im ersten Betriebsmonat einmal in der Woche durchgeführt werden.**

#### **10. Elektrischer Schaltplan der Maschine**

Die Maschinen der Baureihe Solo zeichnen sich durch eine besondere elektrische Anlage aus, deren Schaltplan dem vorliegenden Gebrauchs- und Wartungshandbuch beigelegt wird.

#### **11. Wartung und Reparatur der Maschine**

Eine angemessene Wartung ist ein entscheidender Faktor für eine längere Lebensdauer der Maschine in optimalen Betriebs- und Leistungsbedingungen sowie für die Gewährleistung der vom Hersteller vorgesehenen Sicherheitsbedingungen.

#### **12. Ordentliche Wartung**

Um einen zuverlässigen Betrieb der Anlage zu garantieren, muss von Zeit zu Zeit der Kondensator gereinigt werden (die Häufigkeit der Reinigung hängt hauptsächlich von der Umgebung ab, wo die Anlage steht).

Die Reinigung muss bei ausgeschaltetem Gerät erfolgen. Es wird empfohlen, einen Luftstrahl von innen nach außen zu blasen. Falls dies nicht möglich ist, reinigen Sie den Kondensator von außen mit einem langborstigen Pinsel. Bei Wasserkondensierung wird empfohlen, die Reinigung von einem Hydrauliker durchführen zu lassen, der entsprechende handelsüblich entkrustende Zusätze verwendet.



#### **HINWEIS**

**Um Schnittverletzungen an den Händen zu vermeiden, Schutzhandschuhe tragen.**



#### **HINWEIS**

**Vor Eingriffen an der Maschine die Spannung abstellen.**

#### **12.1 Außerordentliche Wartung**

Regelmäßig den Verschleißzustand der elektrischen Kontakte und Fernschalter überprüfen und, wenn nötig, auswechseln.

#### **12.2 Eingriffe, die von Fachpersonal oder vom Hersteller durchgeführt werden müssen**

In Folge die Wartungseingriffe, die eine spezifische technische Kompetenz erfordern und die folglich von Fachpersonal oder vom Hersteller durchgeführt werden müssen

Der Benutzer darf folgende Operationen auf keinen Fall ausführen:

- Auswechslung der elektrischen Bauteile
- Eingriffe an der elektrischen Anlage
- Reparatur mechanischer Teile
- Eingriffe an der Kühlanlage
- Eingriffe an der Steuerschalttafel, an den Betriebsschaltern, Halt und Nothalt

- Eingriffe an den Schutz- und Sicherheitsvorrichtungen

### 12.3 Technische Probleme

Folgende Probleme können während des Betriebs der Maschine auftreten:

1) Kompressorstillstand. Es gibt eine Schutzvorrichtung, die jedes Mal einschreitet, wenn die zulässige Höchsttemperatur für die Wicklungen des Kompressor - Elektromotors überschritten wird. Dies kann eintreten, wenn:

- der Raum, in dem die Anlage steht, nicht genügend belüftet ist.
- Unregelmäßigkeiten im elektrischen Versorgungsnetz bestehen.
- Der Lüfterbetrieb des Kondensators unregelmäßig ist.

Die Schutzvorrichtung nimmt automatisch wieder ihre Funktion auf.

2) Eisbildung auf dem Verdampfer (dies behindert den regelmäßigen Luftstrom).

Mögliche Ursachen:

- zu häufiges Türöffnen.
- unregelmäßiger Betrieb des Verdampferlüfters.
- defektes Magnetventil (Modelle mit Heißgasabtauung).
- defekter Abtauwiderstand (für Modelle mit elektrischer Enteisung)
- unvollständiger Abtaubetrieb.

In diesem Fall können folgende Änderungen vorgenommen werden:

- die Temperatur des Abtauende-Thermostates um einige Grad erhöhen.
- die Anzahl der Abtauvorgänge erhöhen.

#### **ACHTUNG**



**Zum Enteisen eventueller Eisblöcke im Verdampfer dürfen auf keinen Fall Metall-, schneidende, spitze Werkzeuge oder heißes Wasser verwendet werden.**

3) Falls das Display der Steuerung nicht eingeschaltet ist, überprüfen Sie, ob:

- Spannung vorhanden ist.
- das Stromkabel richtig angeschlossen ist.
- die Sicherungen im Innern der elektrischen Schalttafel funktionieren.

4) Wenn das Display eingeschaltet ist und das Gerät bei Drücken der ON/OFF-Taste nicht läuft, muss überprüft werden, ob der Türmikroschalter richtig angeschlossen ist. Dabei ist zu beachten, dass bei geschlossenem Kontakt, auch die Türe geschlossen sein muss.

#### **Ungenügende Leistung der Maschine:**

Bei einer ungenügenden Leistung muss, nachdem auf der Suche nach technischen Ursachen keine Störungen gefunden wurden, kontrolliert werden, dass die Zellentüren vollkommen dicht verschlossen sind; dass keine Kälteleckagen in der Zelle vorliegen; dass das Personal die Zelle mit Vorsicht nutzt und dass sich in der benutzten Niedrigtemperaturzelle keine Vorräte und ungefrorene Flüssigkeiten befinden oder dass sich Eis im Verdampfer gebildet hat.

Es wird empfohlen, die Maschinen fern von Türen zu montieren, vor allem, wenn diese täglich geöffnet werden sollen.



#### **HINWEIS:**

**Während des Betriebs der Maschine dürfen die vom Hersteller zum Schutz des Benutzers angebrachten Schutzvorrichtungen auf keinen Fall abgenommen werden.**

### 12.4 Von der Kontrolle angezeigte Alarmmeldungen

Bei Alarmzustand der Maschine, leuchtet die Kontroll-LED auf und (falls vom Kunden installiert) ertönt ein Signalton, darüber hinaus werden am Display Codes angezeigt, mittels derer sich die Alarmursachen unmittelbar identifizieren lassen.

ALARM	DISPLAY	URSACHE	LÖSUNG
Hochtemperaturalarm	(HI) abwechselnd mit Zellentemperatur	- zu häufiges Öffnen der Zellentür. - Produkt, das sich in der Zelle befindet, hat eine zu hohe Temperatur. - die Anlage funktioniert nicht richtig.	
Niedrigtemperaturalarm	(LO) abwechselnd mit Zellentemperatur.	-Funktionsstörung der elektronischen Kontrolleinheit	Eingriff technischer Kundendienst
Umgebungsfühler	(E0) dauerhaft	Fühler unterbrochen	Auswechslung Fühler
Verdampferfühler	(E1) abwechselnd mit Zellentemperatur	Fühler unterbrochen	Auswechslung Fühler
Hochdruckalarm	Bei Hochdruckalarm erscheint auf dem Display (HH) abwechselnd mit der Temperatur der Zelle; bei jedem Eingriff des Hochdruckwächters leuchtet die Led (4) auf. Falls die Anzahl der Eingriffe des Hochdruckwächters über 10 pro Stunde liegt, erscheint auf dem Display (5) die Anzeige (PP) abwechselnd mit der Temperatur der Zelle und wird nicht nur die Led (4) aufleuchten, sondern auch das Alarmrelais. Dabei sind alle Funktionen blockiert	Den korrekten Betrieb des Kondensatorgebläses überprüfen. Kontrollieren, ob der Kondensator sauber ist.	Spannung von der Kühlgruppe nehmen, einige Sekunden warten und Spannung erneut einschalten.
Spannungsmonitor-Alarm	(AM) abwechselnd mit Zellentemperatur. Der Monitor ist eine elektronische Vorrichtung, mit der die Stromspannung des Gerätes kontrolliert werden kann. Genau gesagt, wenn die Stromspannung Schwankungen unterliegt, die höher sind als +/-12%, schreitet diese Vorrichtung ein. Das Gerät bleibt für ca. 6 Minuten stehen. Danach läuft es automatisch wieder an, wenn die Bedingungen dafür gegeben sind. Warnung: Beim ersten Einschalten führt der	Nicht korrekte Versorgungsspannung	

	<p>Monitor eine Berechnung von ca. 7 Minuten aus. Es ist wichtig, dass das Gerät Spannung hat, sollte jedoch während der Dauer der Monitorberechnung im OFF-Zustand sein.</p>		
--	---	--	--

### **13 BESTELLUNG VON ERSATZTEILEN**

Um Ersatzteile zu bestellen, beziehen Sie sich auf die Matrikelnummer auf der Plakette der Maschine.



#### **HINWEIS**

**Die Auswechslung von verschlissenen Teilen kann nur von Fachpersonal vorgenommen werden.**

### **14 ENTSORGUNG DER VERPACKUNG**

Verpackungen aus Holz, Kunststoff, Polystyrol müssen gemäß den geltenden nationalen Gesetzen des Landes entsorgt werden, in dem die Maschine eingesetzt wird.

### **15 ENTSORGUNG DER MASCHINE**

Bei Verschrottung müssen die Komponenten fachgerecht mit Hilfe entsprechender für die Entsorgung von Sondermüll ermächtigter Spezialfirmen und gemäß den geltenden nationalen Gesetzen des Landes entsorgt werden, in dem die Maschine eingesetzt wird.



#### **HINWEIS**

**Die Kühlflüssigkeit darf nicht in die Umgebung abgelassen werden, sondern muss gesammelt und von für die Entsorgung von Sondermüll ermächtigten Firmen entsorgt werden**

## **ÍNDICE TEMÁTICO**

- 1. Avisos importantes y de seguridad**
- 2. Tabla resumen de las etiquetas**
- 3. Descripción del equipo**
- 4. Funcionamiento del equipo**
- 5. Traslado del equipo**
  
- 6. Instalación del equipo**
  - 6.1 Indicaciones
  - 6.2 Dimensiones del equipo
  - 6.3 Colocación del equipo
  - 6.4 Espacios libres obligatorios
  - 6.5 Montaje del equipo
  - 6.6 Colocación y sujeción del panel remoto
  - 6.7 Protecciones y medidas de seguridad adoptadas
  - 6.8 Limpieza
  
- 7. Conexión del equipo a las fuentes externas de energía**
  - 7.1 Conexión energía eléctrica
  - 7.2 Conexión sistema hidráulico
  
- 8. Mandos eléctricos**
  - 8.1 Panel de mandos y control
  
- 9. Controles, ajustes y revisiones a realizar**
  - 9.1 Puesta en servicio del equipo
  
- 10. Esquema del sistema eléctrico del equipo**
  
- 11. Mantenimiento y reparación del equipo**
  
- 12. Mantenimiento ordinaria**
  - 12.1 Mantenimiento extraordinaria
  - 12.2 Intervenciones a realizar por personal cualificado o el Fabricante
  - 12.3 Inconvenientes técnicos
  - 12.4 Alarmas señaladas por el control electrónico
  
- 13. Como encargar las piezas de recambio**
- 14. Deshacerse del embalaje**
- 15. Desguace del equipo**



Deseamos agradecerle la confianza que ha depositado en nosotros al adquirir un producto Foster. Le rogamos que lea atentamente este manual, preparado expresamente, con consejos y avisos sobre el correcto modo de instalación, uso y mantenimiento de nuestro producto, para que pueda sacar el máximo provecho de todas sus características.

## 1 AVISOS IMPORTANTES Y DE SEGURIDAD

A continuación recogemos algunos consejos, relativos a la seguridad, a seguir durante la instalación y el uso del equipo.

- La instalación del equipo se tiene que realizar conforme a los esquemas y los consejos proporcionados por el Fabricante.
- Los daños debidos a conexiones impropias están excluidos.
- No se admite un conductor neutro como conductor de protección, aunque sea de tierra.
- La instalación eléctrica del entorno en donde se instala el equipo tiene que ser conforme a las normas vigentes para las instalaciones eléctricas.
- La manutención del equipo debe ser realizada por personal cualificado o el Fabricante, siguiendo todas las disposiciones previstas por la normativa EN378.



### **AVISO**

***Para evitar cortes en las manos, use guantes de protección***

Para cualquier empleo no previsto del equipo, en especial durante su uso, o de todas formas para cualquier intervención que se quiera realizar en el equipo, el Usuario está obligado a informarse a través del Fabricante sobre eventuales contraindicaciones o peligros que se podrían deber a un uso impropio de dicho equipo.

- El equipo debe utilizarse conforme a las instrucciones de uso y para los usos previstos por el Fabricante. Cualquier uso incorrecto del equipo representa una condición anómala y puede provocar daños al equipo mismo y constituir un serio peligro para la salud de las personas.



### **CUIDADO**

***Este equipo no ha sido construido para trabajar en un entorno explosivo. Por lo tanto, queda terminantemente prohibido usar el equipo en atmósferas con peligro de explosión.***



### **CUIDADO**

***Este equipo no ha sido construido para trabajar en un entorno salino. En tal caso es necesario proteger el condensador o el evaporador con los sistemas más adecuados.***

En caso de manutención con necesidad de intervención en el circuito frigorífico, hay que vaciar el sistema y llevarlo a la presión atmosférica.



### **AVISO**

***No hay que verter el fluido frigorígeno en la atmósfera, tiene que ser recuperado por técnicos especializados con el debido equipamiento.***

- La recarga del refrigerante se debe hacer siguiendo las indicaciones de la etiqueta técnica respecto al tipo y a la cantidad.
- No se admite el uso de ningún tipo de refrigerante distinto, sobre todo de refrigerantes de tipo inflamable (hidrocarburos) o de aire.
- No se admiten modificaciones o alteraciones del circuito frigorífico o de los componentes, como soldaduras en el compresor.
- El usuario final tiene que proteger la instalación de peligros de incendio procedentes del exterior.

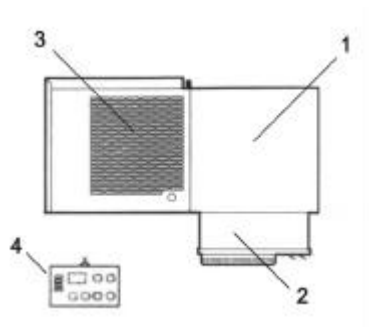
2 Tabla resumen de las etiquetas



	<p><i>Fluido frigorígeno</i></p>
	<p><i>Desagüe condensación</i></p>
	<p><i>Cuidado: partes calientes o frías</i></p>
	<p><i>Cuidado: antes de manipular el equipo quite la corriente</i></p>
	<p><i>Cuidado: peligro de electrocución</i></p>
	<p><i>Conecte este cable a un interruptor magnetotérmico. Nunca directamente a la línea principal</i></p>
	<p><i>Sentido de la rotación</i></p>
	<p><i>Colores de los hilos del cable de alimentación</i></p>
	<p><i>Cuidado – importante: limpie periódicamente el condensador con chorro de aire desde el interior hacia el exterior. Hágalo con el equipo parado</i></p>
	<p><i>Cable luz cámara</i></p>
	<p><i>Cable micro puerta</i></p>
	<p><i>Cable resistencia puerta</i></p>

### 3 Descripción del equipo

Los equipos de la serie Solo son grupos frigoríficos de condensación por aire o por agua (opcional). Están contruidos según el concepto de unidad monobloque. Están compuestos por:



1. una unidad condensadora instalada externamente a la cámara
2. una unidad condensadora en una cámara aislada e instalada externamente a la cámara
3. un cuadro eléctrico de control y mando, colocado en la unidad condensadora.
4. un panel de mando remoto con sujeción en la pared

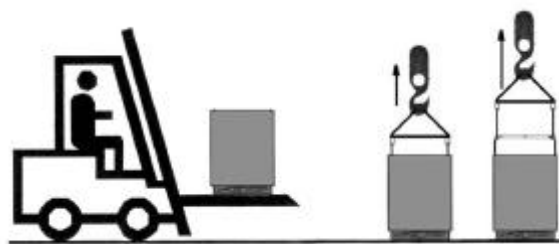
### 4 Funcionamiento del equipo

Los **uniblock Solo** son grupos frigoríficos de compresión en los cuales la producción del frío tiene lugar por vaporización a baja presión, en un intercambiador térmico (evaporador), de un fluido frigorígeno líquido, de tipo HFC; el vapor así obtenido es reconducido al estado líquido mediante compresión mecánica a una presión más elevada, seguida de un enfriamiento en otro intercambiador térmico (condensador).

El compresor frigorífico es de tipo hermético, con movimiento alternativo y está alimentado por la red eléctrica monofásica o trifásica. El descarche tiene lugar de manera automática pre programada, con una frecuencia cíclica, con la posibilidad de intervenir también manualmente.

### 5 Traslado del equipo

El traslado del equipo se puede realizar con medios para el levantamiento y el transporte.



#### AVISOS



*Tenga mucho cuidado de que nadie transite por la zona de maniobra del medio para el levantamiento y el transporte, para evitar cualquier posibilidad de accidente del personal durante el traslado de la carga.*



*Si el equipo se recibe embalado en una caja o jaula de embalaje de madera, el traslado tendrá que llevarse a cabo embragando el embalaje de manera adecuada.*



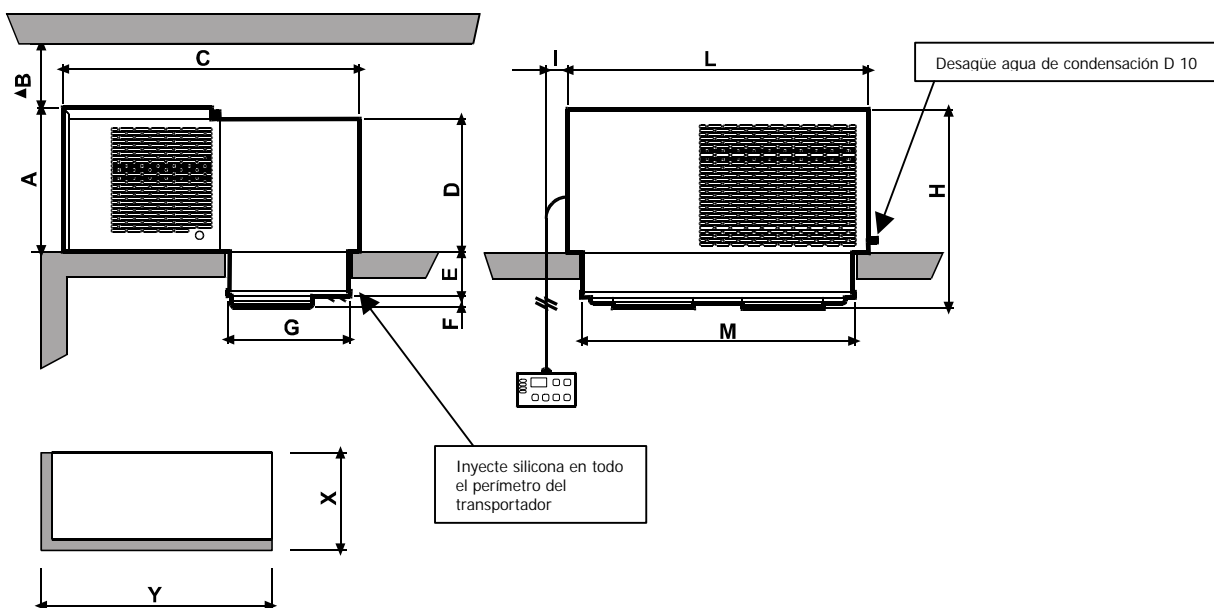
*Hay que prestar especial cuidado para que la velocidad de levantamiento del equipo embalado no provoque oscilaciones con peligro de caída de la unidad.*

### 6 Instalación del equipo

### 6.1 Indicaciones

El Fabricante ha aplicado el uso de etiquetas de advertencia con las indicaciones recogidas en la tabla resumen

### 6.2 Dimensiones del equipo



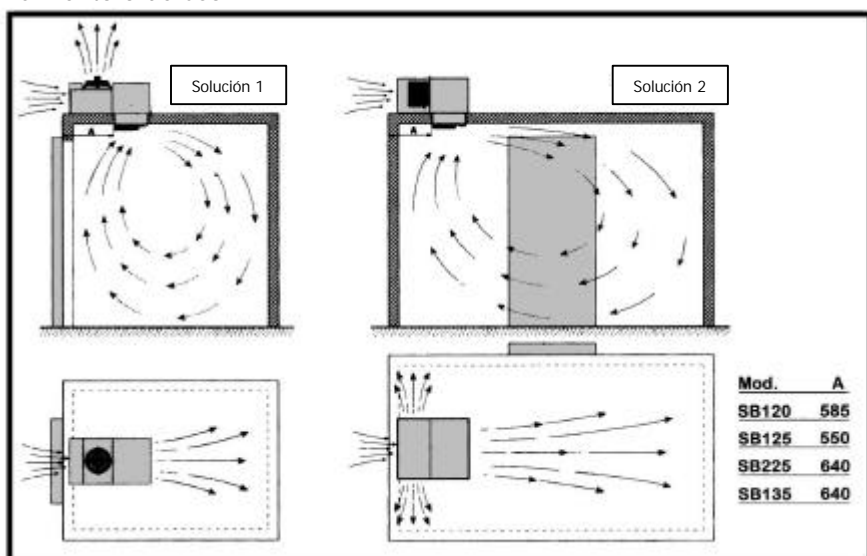
	A	B	C	D	E	F	G	H	I	L	M	X	Y
SP1/SP2	357	250	719	340	122	28	332	506	60	620	545	337	550
SP3/SP4	390	250	809	360	122	28	332	540	60	820	745	337	750
SP5	427	250	929	410	122	98	452	645	60	820	745	456	750

### 6.3 Colocación del equipo

Para obtener el mejor funcionamiento posible del equipo le aconsejamos que:

- A)** Coloque el equipo en un entorno que disponga de un buen cambio de aire y lejos de fuentes excesivas de calor.
- B)** Abra la cámara lo mínimo indispensable.
- C)** Cerciórese de que el equipo cuenta con una buena aspiración, así como de una buena expulsión del aire movido.
- D)** Conecte un tubo para la evacuación del agua en el desagüe del agua de condensación, situado en la parte inferior del equipo.

**N.B.:** Las unidades SB disponen de un sistema de evaporación del agua de condensación, el desagüe es solo una precaución en caso de anomalías de funcionamiento o de uso.



#### 6.4 Espacios libres obligatorios

Para permitir un uso correcto del equipo y facilitar una ágil manutención del mismo en condiciones de seguridad, está previsto que la instalación tenga lugar en una posición que respete los espacios libres mínimos para la apertura del equipo.

#### 6.5 Montaje

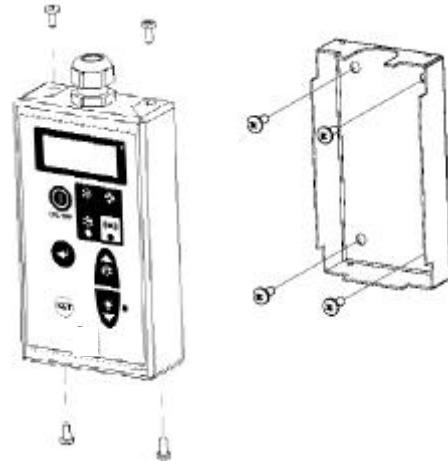
- A) Realice un agujero de dimensiones adecuadas en la pared de la cámara (véanse las figuras anteriores). Coloque el equipo en la cámara, introduciendo, desde el exterior, el evaporador en el agujero de la cámara previamente realizado.

NOTA: SP1, SP2, SP3, SP4 ,SP5 son modelos que no necesitan puntos de fijación

#### 6.6 Colocación y sujeción del panel remoto:

Desmonte la tapa del panel remoto, aflojando los tornillos laterales de cierre. Sujete el fondo del panel remoto en la pared escogida, utilizando los agujeros del panel, manteniendo su posición vertical.

Vuelva a cerrar el panel montando la tapa (operación inversa). Coloque el cable de conexión entre el panel y el equipo de modo que quede alejado de otros cables ya existentes en la instalación.



#### **CUIDADO**

**Compruebe que el transporte no haya provocado daños al equipo o a los aparatos contenidos en él, especialmente a los componentes que se hallan en la puerta del cuadro eléctrico y en los tubos del sistema frigorífico. A continuación proceda a su montaje en la cámara como se indica en los esquemas, teniendo especial cuidado con la conexión eléctrica.**

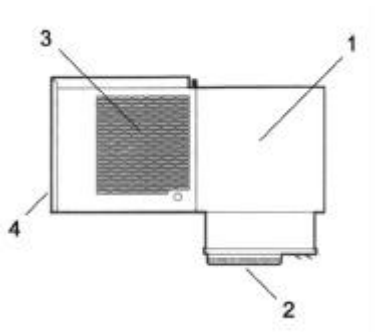
#### 6.7 Protecciones y medidas de seguridad adoptadas

El Fabricante ha predispuesto las siguientes protecciones mecánicas:

1. Protecciones fijas laterales y frontales de la unidad evaporadora y de la unidad condensadora: están sujetas en la parte de madera mediante tornillos de sujeción.
2. Protecciones fijas exteriores de los electroventiladores en la unidad evaporadora: están sujetados con tornillos.

El Fabricante ha predispuesto las siguientes protecciones eléctricas:

- a. Protección térmica ventiladores (incorporados en los motores) de reinserción automática: protección de los electroventiladores contra el consumo elevado de corriente
- b. Presostato de alta presión de reinserción automática (solo para grupos en los que esté previsto): protección contra presiones demasiado elevadas



**AVISO**

*Las protecciones han sido predispuestas por el Fabricante para salvaguardar la incolumidad del usuario durante su trabajo*

**6.8 Limpieza del equipo**

Limpie el equipo con cuidado, eliminando el polvo, las sustancias ajenas o la suciedad que eventualmente se hubieran depositado en el mismo durante su traslado, utilizando detergentes o desengrasantes.



**CUIDADO**

*No use disolventes*

**7. Conexión del equipo a las fuentes externas de energía**

**CUIDADO**



*Antes de realizar la conexión eléctrica, compruebe que el voltaje y la frecuencia de la red de alimentación corresponden a lo que indica la etiqueta del equipo y que la corriente se mantenga en una tolerancia del +/- 10% respecto al valor nominal.*

**7.1 Conexión energía eléctrica**

Tras haber realizado una inspección preventiva de los componentes del cuadro, se procede a la conexión eléctrica.

**CUIDADO**



*La conexión a la línea ha de hacerse con un oportuno dispositivo de protección (magnetotérmico o magnetotérmico diferencial) escogido por el instalador en base al tipo de línea y al consumo indicado en la etiqueta del equipo.*

Cuando en una cámara hay más de una unidad, es oportuno que cada equipo tenga su propio dispositivo de protección. Proceda pues a la conexión de la unidad teniendo en cuenta el color de los hilos que salen del cable de alimentación:

a) 230V/1/50-60Hz	3hilos	Azul=Neutro Amarillo/verde=tierra Marrón=fase
b) 230V/3/50-60Hz	4hilos	Azul =fase Amarillo/verde =tierra Marrón =fase Negro=fase
c) 400/3/50 Hz	5hilos	Azul =neutro Amarillo/verde =tierra Marrón =fase

Negro=fase  
Negro=fase

Se aconseja la instalación de un micro interruptor (no suministrado con el equipo) en la puerta de la cámara, para que a cada apertura de la puerta provoque automáticamente:

- el encendido de la luz de la cámara, el paro del equipo.
- la exclusión de la alarma de la temperatura (durante una hora aprox. tras el cierre de la puerta).

El equipo viene dotado del cable necesario para dicha conexión, y sigue la siguiente lógica:

- contacto micro interruptor cerrado = Puerta cerrada

### **CUIDADO**



Dicho micro interruptor no se suministra con el equipo; si el cable del micro interruptor de la puerta se corta o se estropea tendrán lugar las mismas condiciones que se producen con la puerta abierta y el micro interruptor conectado.

Con los equipos de la GAMA "L" (Baja temperatura) se suministra un cable para la conexión de la resistencia de la puerta. Dicha conexión habrá de realizarse utilizando un fusible calculado en función de la resistencia de la puerta utilizada.

El equipo también viene dotado del cable para la conexión de la bombilla de la cámara (la bombilla de la cámara tiene que tener una tensión de 230 Volt y 100 Watt de potencia máxima).

### **CUIDADO**



**No conecte los cables del micro interruptor puerta, luz de la cámara o resistencia puerta a la línea de 230 Volt. Las etiquetas pegadas en cada cable indican las conexiones a realizar.**

### **AVISO**



**El eventual reemplazamiento de partes eléctricas defectuosas podrá ser realizado solo y exclusivamente por personal cualificado.**

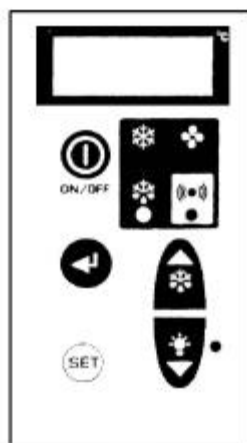
**La conexión eléctrica tiene que ser realizada por una persona competente.**

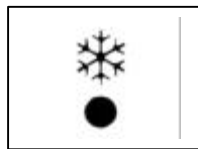
## **7.2 Conexión sistema hidráulico (condensador de agua)**

Esta conexión solo es necesaria si la condensación tiene lugar por agua y ha de realizarse respetando las etiquetas de **ENTRADA** y **SALIDA** del agua situadas cerca de los tubos a los que conectarse. Tenga en cuenta que los tubos utilizados para esta conexión nunca pueden tener un diámetro inferior al del equipo y que la presión mínima para una buena circulación del agua tiene que ser por lo menos de **1 bar**.

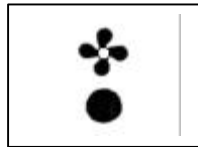
## **8 Mandos eléctricos**

### **8.1 Panel de mandos y control**

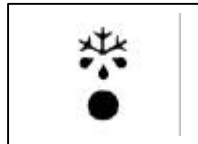




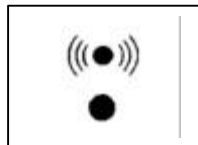
1. PILOTO de control (VERDE)  
Encendido : el compresor está funcionando, el equipo produce frío.  
Intermitente : el compresor se encuentra en fase de retraso puesta en marcha.  
Apagado : el compresor está parado, la temperatura de la cámara ha llegado a los valores configurados.



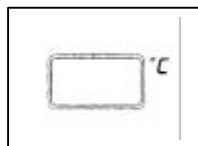
2. PILOTO de control (VERDE)  
Encendido : El ventilador evaporador está funcionando.  
Lampeggio : El ventilador evaporador se encuentra en fase de retraso puesta en marcha.  
Apagado : El ventilador evaporador está parado. Fase de descarche.



3. PILOTO de control (AMARILLO)  
Encendido : Tiene lugar la fase de descarche automático o manual.



4. PILOTO alarma (ROJO)  
Encendido : alarma en curso causada por: el malfuncionamiento de una sonda, la intervención del presostato o la temperatura-cámara por encima de la tolerancia aceptable.  
Apagado : Unidad en funcionamiento normal.



5. PANTALLA: Al encenderse se visualiza OFF que indica que el equipo está apagado. Presionando durante tres segundos la tecla on/off, se pone en marcha el equipo y se visualiza el valor de la temperatura en la cámara. Durante la programación van apareciendo de uno en uno los valores de los parámetros regulables, mientras se visualiza un código de identificación del tipo de alarma.



6. Tecla "SET" : Presionando durante 2 segundos, permite regular el programa de trabajo. La fase de regulación viene indicada por el piloto de la tecla encendido. Durante la programación permite pasar de un menú a otro superior.



7. Tecla "DOWN/LUZ CÁMARA": En la fase de programación o de regulación del programa, esta tecla sirve para disminuir el valor configurado; además, se utiliza para encender y apagar la luz de la cámara.



8. Tecla "SB.M./UP": Tecla para el incremento de los valores configurables. También consiente activar manualmente el descarche presionando durante más de 5 segundos.



9. Tecla "ON/OFF": Para poner el equipo en marcha o pararlo hay que presionar durante 2 segundos.



10. Tecla "Enter": Permite acceder al menú de programación y pasar a otro menú. Le aconsejamos que no acceda a la programación salvo en caso de necesidad y con la asistencia del instalador.

## 9 Controles, ajustes y revisiones a realizar

Antes de poner el equipo en marcha compruebe que:

- los tornillos de sujeción estén bien apretados,
- las conexiones eléctricas se hayan realizado correctamente.



- En caso de apertura del el equipo, compruebe que:
- no haya quedado ninguna herramienta dentro del equipo,
  - el montaje se haya realizado correctamente,
  - no haya pérdidas de gas,
  - el frontal haya sido colocado correctamente

### 9.1 Puesta en servicio del equipo

Antes de poner en marcha el grupo frigorífico hay que realizar las siguientes operaciones:

- Enchufe el equipo a la corriente. La pantalla se enciende y aparece el texto OFF.
- Si está previsto un precalentamiento, es necesario mantener el equipo en dicho estado durante tres horas por lo menos.
- Si el equipo lleva incorporado un monitor de tensión, hay que mantenerlo en OFF durante 7 minutos por lo menos, para que dicho monitor realice la fase de cómputo.
- Regule el set - point de la temperatura de la cámara.
- Ponga en marcha el equipo pulsando la tecla ON/OFF.



#### **CUIDADO**

<b>Gama H:</b>	<b>Valor mínimo <math>-5^{\circ}\text{C}</math>, Valor máximo <math>+10^{\circ}\text{C}</math></b>
<b>En general:</b>	<b>Valor recomendado: <math>+3^{\circ}\text{C}</math></b>
<b>Enfriamiento:</b>	<b>Valor recomendado: <math>+1^{\circ}\text{C}</math></b>
<b>Carne fresca:</b>	<b>Valor recomendado: <math>-2^{\circ}\text{C}</math></b>
<b>Gama L:</b>	<b>Valor mínimo <math>-25^{\circ}\text{C}</math>, Valor máximo <math>-15^{\circ}\text{C}</math>, Valor recomendado <math>-21^{\circ}\text{C}</math></b>

Programación programa temperatura cámara:

- Enchufe el equipo a la corriente. En la pantalla aparecerá el texto OFF.
  - Para configurar el programa de trabajo deseado, pulse durante tres segundos la tecla SET. Se encenderá el piloto verde y en la pantalla aparecerá el valor configurado.
- Si desea modificar dicho valor, pulse la tecla:



UP para aumentar



DOWN para disminuir

Pulse la tecla SET para confirmar el valor configurado.

El equipo ahora está en funcionamiento y no necesita ninguna otra programación. Todo el ciclo de funcionamiento es completamente automático y está regulado por unos parámetros determinados que vienen preestablecidos y configurados por el fabricante. Para cualquier variación de dichos parámetros, es necesario dirigirse a personal especializado.



#### **CUIDADO**

**24 horas tras la puesta en en marcha, compruebe las condiciones del evaporador. Si presenta formaciones de hielo, hay que disminuir el intervalo entre los descarches. Para las unidades de baja temperatura hay que repetir este control semanalmente durante el primer mes de utilización.**

### 10. Esquema de la instalación eléctrica del equipo

Los equipos de la serie Solo se caracterizan por una instalación eléctrica específica cuyo esquema se adjunta a este manual de uso y manutención.

### 11. Manutención y reparación del equipo

Una manutención adecuada constituye un factor determinante para una mayor duración del equipo en las mejores condiciones de funcionamiento y de rendimiento y para garantizar las condiciones de seguridad predispuestas por el Fabricante.

## 12. **Manutención ordinaria**

Para obtener siempre un buen funcionamiento del equipo, es necesario realizar periódicamente una limpieza del condensador (la periodicidad de esta limpieza depende principalmente del entorno en donde se ha instalado dicha unidad).

Esta operación tiene que realizarse con el equipo parado: es aconsejable usar un chorro de aire desde el exterior hacia el interior. Cuando no sea posible, utilice un cepillo de cerdas largas desde la parte exterior del condensador. En caso de condensación de agua, es aconsejable que se encargue de la operación de limpieza un fontanero utilizando especiales aditivos desincrustantes de venta en comercios.



### **AVISO**

**Para evitar cortes en las manos, use guantes de protección.**



### **AVISO**

**Antes de manipular el equipo, quite la corriente.**

## 12.1 **Manutención extraordinaria**

Compruebe periódicamente el estado de desgaste de los contactos eléctricos y de los telerruptores y, si es necesario, cámbielos.

## 12.2 **Intervenciones a realizar por personal cualificado o el Fabricante**

Presentamos a continuación la lista de intervenciones de manutención que requieren una competencia técnica específica y que por lo tanto tienen que ser realizados por personal cualificado o bien por el Fabricante mismo.

El usuario NO deberá realizar las siguientes operaciones bajo ningún motivo:

- sustituir componentes eléctricos
- intervenir en el sistema eléctrico
- realizar reparaciones de partes mecánicas
- intervenir en el sistema frigorífico
- intervenir en el panel de mando, en los interruptores de puesta en marcha, de paro o de emergencia
- intervenir en los dispositivos de protección y de seguridad.

## 12.3 **Inconvenientes técnicos**

Los inconvenientes que pueden tener lugar durante el funcionamiento del equipo pueden ser:

- 1 Bloqueo del compresor. Hay un dispositivo de protección que entra en función cada vez que se supera la temperatura máxima aceptable para las bobinas del motor eléctrico del compresor. Esto puede ocurrir si:

El espacio donde se encuentra el equipo no está suficientemente ventilado.

Hay anomalías en la red de alimentación eléctrica.

El funcionamiento del ventilador del condensador es incorrecto.

Este dispositivo de protección vuelve a su posición de manera automática.

- 2 Formación de hielo en el evaporador (cosa que impide un correcto flujo del aire). Puede ser provocado por:

Excesivas aperturas de la puerta.

Un funcionamiento incorrecto del ventilador del evaporador.

Avería de la válvula solenoide (modelos con descarche con gas caliente).

Avería de la resistencia de descarche (para modelos con descarche eléctrico).

Funcionamiento imperfecto del descarche.

En tal caso se pueden realizar algunas operaciones: aumentar unos grados la temperatura del termostato de fin de descarche, aumentar el número de descarches.

### **CUIDADO**

**Para las operaciones de descarche de eventuales bloques de hielo del evaporador, se desaconseja absolutamente el uso de herramientas metálicas, cortantes y puntiagudas así como el uso de agua caliente**



- 3 En caso de que la pantalla de la centralita no se encienda, compruebe: que el equipo esté conectado, que la conexión del cable de alimentación sea correcta, los fusibles del cuadro eléctrico.
4. Si la pantalla se enciende y al pulsar la tecla ON/OFF el equipo no se pone en marcha, compruebe que la conexión del micro interruptor de la puerta funcione correctamente: recuerde que con el contacto cerrado tendremos la puerta cerrada.

#### Rendimiento insuficiente del equipo:

En caso de rendimiento insuficiente, si tras haber buscado las causas técnicas no se encuentra ninguna anomalía en el sistema, hay que comprobar si las puertas de la cámara cierran herméticamente; que no haya dispersiones de frío en la cámara; que el personal use la cámara con el debido cuidado i que en la cámara utilizada a baja temperatura no se hayan conservado provisiones o líquidos sin congelar, o si hay presencia de hielo en el evaporador.  
Además, es aconsejable montar el equipo lejos de las puertas, especialmente cuando se prevean muchas aperturas diarias.



#### AVISO

**Está terminantemente prohibido, durante el funcionamiento del equipo, quitar las protecciones predispuestas por el Fabricante para proteger la incolumidad de su usuario.**

#### 12.4 Alarmas señaladas por el control electrónico

Cuando el equipo entra en alarma, además de encenderse el piloto de control y al encenderse la eventual señal acústica (instalada por el cliente), en la pantalla aparecen unos códigos que permiten una identificación inmediata del tipo de alarma.

ALARMAS	PANTALLA	CAUSA	SOLUCIÓN
Alta temperatura	(HI) alternando con la temperatura de la cámara	Excesivas aperturas de la puerta. Carga de producto demasiado caliente en la cámara. Malfuncionamiento del sistema frigorífico.	
baja temperatura	(LO) alternando con la temperatura de la cámara	- Malfuncionamiento del control electrónico.	Intervención de la asistencia técnica.
sonda entorno	(EO) fijo	Sonda desconectada	Reemplazo de la sonda.
sonda evaporador	(E1) alternando con la temperatura de la cámara	Sonda desconectada	Reemplazo de la sonda.
alta presión	Cuando tiene lugar la alarma de alta presión, en la pantalla aparece (HH) alternando con la temperatura de la cámara y se enciende el piloto (4), a cada intervención del presostato de alta presión. Si el número de intervenciones del presostato de alta presión es superior a 10 en el espacio de una hora, en la pantalla (5) aparecerá la sigla (PP) alternando con la	Compruebe el funcionamiento del ventilador condensador. Compruebe la limpieza del condensador.	Quite la corriente del equipo frigorífico, espere unos segundos y vuelva a enchufar.

	temperatura de la cámara y, además del piloto (4), se pondrá en marcha el relé de alarma. En estas condiciones se bloquean todas la funciones.		
Monitor de tensión	(AM) alternando con la temperatura de la cámara. El monitor es un dispositivo electrónico que permite controlar la tensión de alimentación del equipo. Más concretamente, si la tensión de alimentación sufre variaciones superiores a +/- 12% entra en función este dispositivo. El equipo sigue parado durante unos 6 minutos tras los cuales, si las condiciones lo permiten, vuelve a ponerse en marcha automáticamente. Aviso: la primera vez que se enciende el equipo realiza un cómputo de unos 7 minutos. Es importante que el equipo esté enchufado, pero en la condición de OFF durante todo el tiempo que dura el cómputo del monitor	Tensión alimentación incorrecta	

### 13 COMO ENCARGAR LAS PIEZAS DE RECAMBIO

En caso de que se tengan que encargar piezas de recambio, haga referencia al n° de matrícula que se encuentra en la etiqueta del equipo.



#### **AVISO**

***El reemplazo de partes desgastadas solo está permitido a personal cualificado o al Fabricante mismo.***

### 14 DESHACERSE DEL EMBALAJE

Los embalajes de madera, plástico y poliestireno se tienen que eliminar conforme a las leyes vigentes en el Estado en que se utiliza el equipo.

### 15 DESGUACE DEL EQUIPO

En caso de desguace, los componentes del equipo no han de abandonarse en el medio ambiente; han de ser eliminados a través de empresas autorizadas a la recogida y a la recuperación de desechos especiales, conforme a las leyes vigentes en el Estado en que se utiliza el equipo.



#### **AVISO**

***No hay que verter el fluido frigorígeno en la atmósfera, tiene que ser recuperado y eliminado por empresas autorizadas a la recogida de desechos especiales.***

**LEGENDA SCHEMA ELETTRICO - WIRING DIAGRAM  
LEGENDE SCHEMA ELECTRIQUE – SCHALTPLANLEGENDE  
LEYENDA ESQUEMA ELECTRICO - LEGENDA ESQUEMA ELECTRICO**

BA	RESISTÊNCIA DO CARTER COMPRESSOR M1
SONDA TEMPERATURA AMBIENTE	
ROOM SENSOR	EP
SONDE CHAMBRE FROIDE	RESISTENZA PORTA
RAUMSONDE	DOOR HEATER CIRCUIT
SONDA CAMARA	RESISTANCE PORTE
SONDA TEMPERATURA AMBIENTE	TÜRHEIZUNG
	RESISTENCIA PUERTA
	RESISTÊNCIA DA PORTA
BC	ER1
SONDA CONDENSATORE	RISCALDATORE QUADRO
CONDENSER ALARM SENSOR	CONTROL BOARD HEATER
SONDE ALARME CONDENSEUR	RESISTANCE TABLEAU CONTROLE
KOND-LÜFTER- ALARMSONDE	SCHALTAFELHEIZUNG
SONDA ALARMA CONDENSADOR	RESISTENCIA CUADRO ELECTRICO
SONDA ALARME CONDENSADOR	AQUECIMENTO DO QUADRO
BS	ER2
SONDA SBRINAMENTO	RISCALDATORE MONITOR
DEFROST SENSOR	VOLTAGE REGULATOR HEATER
SONDE DEGIVRAGE	RESISTANCE MONITEUR
ABTAUUNGSONDE	MONITORHEIZUNG
SONDA DESCARCHE	RESISTENCIA MONITOR
SONDA DEGELO	AQUECIMENTO DO MONITOR
BVR	ES
VARIATORE DI VELOCITA'	RESISTENZA SCARICO CONDENSA
SPEED REGULATOR	CONDENSATE DRAIN HEATER
VARIANT VITESSE	RESISTANCE ECOULEMENT CONDENSE
GESCHWINDIG- KEITSREGLER	KONDENSWASSERABLAUFHEIZUNG
VARIADOR DE VELOCIDAD	RESISTENCIA DESAGÜE CONDENSACION
VARIADOR DE VELOCIDADE	RESISTÊNCIA DO DRENO DE CONDENSAÇÃO
BVRS	F13
SONDA VARIATORE VELOCITA'	FUSIBILE MONITOR
SPEED REGULATOR SENSOR	VOLTAGE REGULATOR FUSE
SONDE VARIATEUR VITESSE	FUSIBLE MONITOR
GESCHWINDIGKEITSREGLERSONDE	MONITORSICHERUNG
SONDA VARIADOR VELOCIDAD	FUSIBLE MONITOR
SONDA VARIADOR DE VELOCIDADE	FUSÍVEIS DO MONITOR
E	F1
RESISTENZE SBRINAMENTO	FUSIBILE COMPRESSORE
DEFROST HEATER	COMPRESSOR FUSE
RESISTANCES DEGIVRAGE	FUSIBLE COMPRESSEUR
ABTAUHEIZUNGEN	KOMPRESSORSICHERUNG
RESISTENCIAS DESCARCHE	FUSIBLE COMPRESOR
RESISTÊNCIAS DE DEGELO	FUSÍVEIS COMPRESSOR
E1	F1E
RESISTENZA CARTER COMPRESSORE M1	CENTRALINA ELETTRONICA
COMPRESSOR CRANKCASE HEATER	ELECTRONIC CONTROL CAB
RESISTANCE CARTER COMPRESSEUR	PANNEAU DE CONTRÔLE ELECTRONIQUE
KOMP.-ÖLSUMPFFHEIZUNG	
RESISTENCIA DEL CARTER DEL COMPRESOR	

ELEKTRONENKONTROLL- PANEEL  
PANEL DE CONTROL ELECTRONICO  
F20

FUSIBILE AUSILIARIO  
AUXILIARY FUSE  
FUSIBLE AUXILIAIRE  
HILFSICHERUNG  
FUSIBLE AUXILIAR  
FUSIVEIS AUXILIARES

FL  
FUSIBILE LUCE CELLA  
ROOM LIGHT FUSE  
FUSIBLE LUMIERE CHAMBRE  
ZELLELICHTSICHERUNG  
FUSIBLE LUZ CAMARA  
FUSIVEL LUZ DA CAMARA

FM  
MONITOR  
VOLTAGE REGULATOR  
MONITOR  
MONITOR  
MONITOR  
MONITOR

FTE  
THERMOSTATO EMERGENZA  
EMERGENCY 'STAT  
THERMOSTAT EMERGENCE  
NOTSTANDE- THERMOSTAT  
THERMOSTATO DE EMERGENCIA  
THERMOSTATO EMERGÈNCIA

H22  
LAMPADA LUCE CELLA  
COLDROOM LIGHT  
LAMPÉLUMIERE CHAMBRE  
KÜHLZELLELICHT  
PILOTO LUZ CAMARA  
LAMPADA LUZ DA CAMARAU

HA  
ALLARME  
ALARM  
ALARME  
ALARM  
ALARMA  
ALARME

HI  
SUONERIA ALLARME TEMPERATURA  
ACUSTIC TEMPERATURE ALARM  
SONNERIE ALARME TEMPERATURE  
TEMP.- ALARMWECKER  
ALARMA SONORA DE TEMPERATURA  
SINALEIRA ALARME DE TEMPERATURA  
K1  
TELERUTTORE COMPRESSORE M1  
COMPRESSOR M 1 CONTACTOR

TELERUPTEUR COMPRESSEUR M 1  
KOMPRESSORFERNSCHALTER M 1  
CONTACTOR COMPRESOR M 1  
INTERRUPTOR COMPRESSOR M1

K11  
TELERUTTORE SBRINAMENTO  
DEFROST CONTACTOR  
TELERUPTEUR DEGIVRAGE  
ABTAUFERNSCHALTER  
CONTACTOR DESCARCHE  
INTERRUPTOR DE DEGELO

M1  
MOTORE COMPRESSORE n°1  
COMPRESSOR MOTOR Nr.1  
MOTEUR COMPRESSEUR Nr.1  
KOMPRESSORMOTOR Nr.1  
MOTOR COMPRESOR N°1  
MOTOR COMPRESSOR n°1

MP  
MICRO PORTA CELLA  
DOOR MICROSWITCH(ROOM)  
MICROPORTE CHAMBRE  
TÜRMIKROSCHALTER(KÜHLZELLE)  
MICROPUERTA(CAMARA)  
MICRO PORTA CAMARA

MVC  
MOTORE VENTOLA CONDENSATORE  
CONDENSER FAN MOTOR  
MOTEUR VENTILATEUR CONDENSEUR  
KOND.-VENTILATORMOTOR  
MOTOR VENTILADOR CONDENSADOR  
MOTOR VENTILADOR CONDENSADOR

MVE  
MOTORE VENTOLA EVAPORATORE  
EVAPORATOR FAN MOTOR  
MOTEUR VENTILATEUR EVAPORATEUR  
VERDMF.-VENTILATORMOTOR  
MOTOR VENTILADOR EVAPORADOR  
MOTOR VENTILADOR EVAPORADOR

P1MX  
PRESSOSTATO INSERZIONE VENTOLA COND.  
COND. FAN STARTING PRESSURE SWITCH  
PRESSOSTAT MISE EN MARCHE VENTILATEUR  
COND.  
KOND.-VENTILATORANLAUFPRESSOSTAT  
PRESOSTATO INSERCIÓN VENTILADOR COND.  
PRESSOSTATO ACIONADOR VENTILADOR COND.

PMI  
PRESSOSTATO BASSA PRESSIONE  
L/P SWITCH  
PRESSOSTAT BASSE PRESSION  
NIEDERDRUCKPRESSOSTAT  
PRESOSTATO BAJA PRESION

PRESSOSTATO BAIXA PRESSÃO

PMX

PRESSOSTATO ALTA PRESSIONE  
H/P SWITCH  
PRESSOSTAT HAUTE PRESSION  
HOCHDRUCKPRESSOSTAT  
PRESOSTATO ALTA PRESION  
PRESSOSTATO ALTA PRESSÃO

Q1

INTERRUPTORE GENERALE  
MAIN SWITCH  
INTERRUPTEUR GENERAL  
HAUPTSCHALTER  
INTERRUPTOR GENERAL  
INTERRUPTOR GENERAL

Q3

INTERRUPTORE ESCLUSIONE VAR. VELOCITA'  
COND. FAN SPEED REGULATOR "OFF" SWITCH  
INTERR. EXCLUSION VARIATEUR VITESSE VENT.  
COND.  
KOND.-VENTILATORGESCHW. REGLER "AUS"  
INTERR. EXCLUSION VARIADOR VELOCIDAD VENT.  
COND.  
INTERRUPTOR DESLIGA VAR. VELOCIDADE

T

TRASFORMATORE  
TRANSFORMER  
TRANSFORMATEUR  
TRANSFORMATOR  
TRANSFORMADOR  
TRASFORMADOR

X

MORSETTIERA-CONNETTORE  
TERMINAL BOARD-CONNECTOR  
PLAQUE DE JONCTION-CONNECTEUR  
KLEMMKASTEN-VERBINDER  
REGLETA-CONECTOR  
TERMINAL-CONECTOR

YG

SOLENOIDE GAS  
REFRIGERANT SOLENOID  
SOLENOIDE REFRIGERANT  
KÄLTEMITTELMAGNETVENTIL  
SOLENOIDE GAS  
SOLENOIDE Gás

YS

SOLENOIDE GAS CALDO SBRINAMENTO  
HOT GAS SOLENOID  
SOLENOIDE GAZ CHAUD  
HEISSGASSOLENOID  
SOLENOIDE GAS CALIENTE  
SOLENOIDE Gás QUENTE DEGELO



**FOSTER REFRIGERATOR (UK) LTD** – Oldmedow Road  
Hardwick Industrial Estate King's Lynn – Norfolk PE30 4JU ENGLAND  
Tel. 01553/691122 - Fax 01553/691447

0MAN095/A  
01/2003